



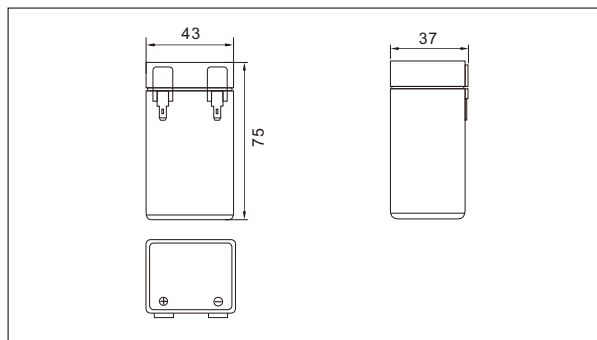
SUNNYWAY®

SHENZHEN SUNNYWAY BATTERY TECH CO.,LTD.

SW623(6V2.3AH)



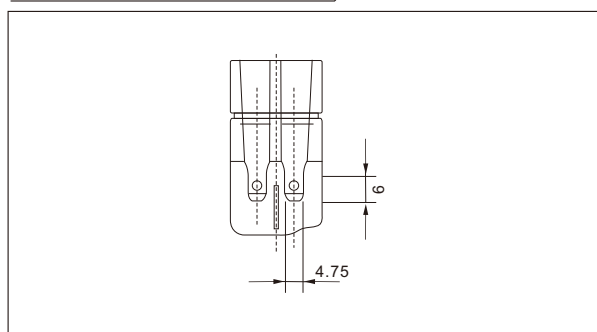
● Outer dimensions (mm)



● Specifications

Nominal Voltage		6 V
Rated capacity (20 hour rate)		2.3 Ah
Dimensions	Total Height	75 mm(2.95inches)
	Height	75 mm(2.95 inches)
	Length	43 mm(1.69 inches)
	Width	37 mm(1.46 inches)
Weight Approx		0.32 Kg (0.70 lbs)

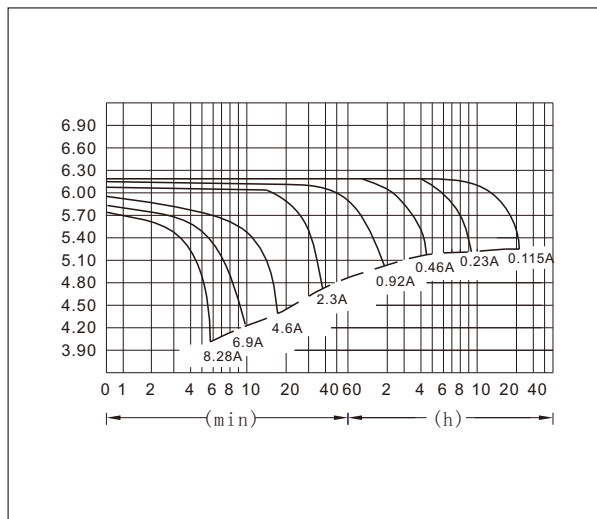
● Terminal Type (mm)



● Characteristics

Capacity 25°C(77°F)	20 hour rate(0.10A)	2.30 AH
	10 hour rate(0.184A)	2.12 AH
	5 hour rate(0.34A)	1.96 AH
	1 hour rate(1.20A)	1.38 AH
	1.5 hour discharge to 5.25 V	0.92 A
Internal Resistance	Full charged Battery at 25°C(77°F)	45 mΩ
Capacity affected by Temperature (20hour rate)	40°C(104°F)	102%
	25°C(77°F)	100%
	0°C(32°F)	85%
	-15°C(5°F)	65%
Self-Discharge at 25°C(77°F)	Capacity after 3 month storage	91%
	Capacity after 6 month storage	82%
	Capacity after 12 month storage	64%
Terminal		T27
Charge (constant Voltage)	Cycle	Initial Charging Current less than 0.92 A Voltage 7.05-7.20 V
	Float	Voltage 6.75-6.90 V

● Discharge Curves 25°C(77°F)



Time		5min	10min	15min	30min	1h	2h	3h	4h	5h	8h	10h	20h
4.80V	A	8.28	5.19	4.03	2.65	1.38	0.81	0.59	0.48	0.40	0.27	0.22	0.12
	W	48.8	30.7	23.2	14.0	8.0	4.7	3.43	2.75	2.33	1.54	1.26	0.69
5.10V	A	7.59	5.08	3.70	2.51	1.30	0.77	0.58	0.46	0.40	0.26	2.14	0.12
	W	46.0	30.2	21.8	13.9	7.5	4.5	3.33	2.66	2.29	1.51	1.24	0.67
5.25V	A	7.04	4.85	3.45	2.43	1.25	0.76	0.57	0.44	0.39	0.26	0.21	0.12
	W	44.4	28.2	20.8	13.8	7.3	4.4	3.27	2.53	2.28	1.50	1.23	0.67
5.40V	A	6.41	4.64	3.22	2.32	1.21	0.74	0.56	0.43	0.37	0.25	0.21	0.11
	W	42.4	27.3	20.1	13.8	7.0	4.3	3.23	2.50	2.18	1.44	1.20	0.65
5.55V	A	5.54	4.37	2.99	2.16	1.17	0.72	0.53	0.42	0.36	0.25	0.20	0.11
	W	33.0	26.4	19.1	13.7	6.9	4.3	3.14	2.49	2.13	1.39	1.17	0.65