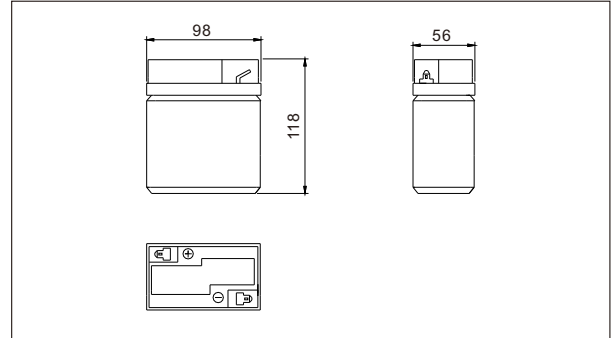




# SW690(6V9AH)



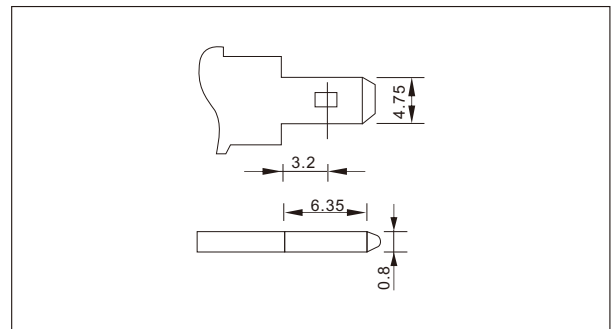
### ● Outer dimensions (mm)



### ● Specifications

Nominal Voltage		6 V
Rated capacity (20 hour rate)		9.0 Ah
Dimensions	Total Height	118 mm(4.65 inches)
	Height	118 mm(4.65 inches)
	Length	98 mm(3.86 inches)
	Width	56 mm(2.20 inches)
Weight Approx		1.40 Kg(3.08 lbs)

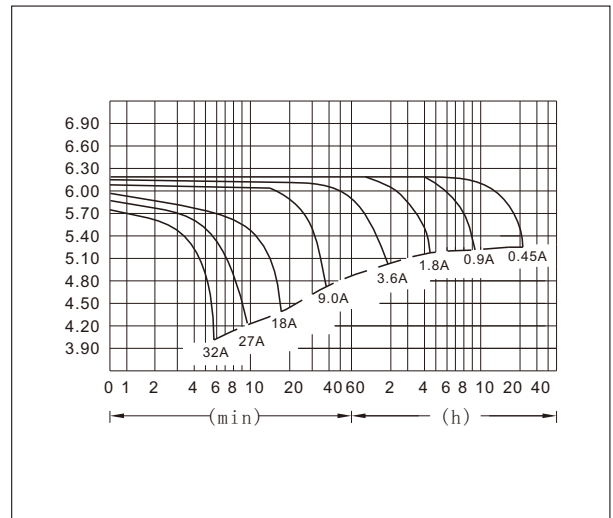
### ● Terminal Type (mm)



### ● Characteristics

Capacity 25°C(77°F)	20 hour rate(0.45A)	9.00 AH
	10 hour rate(0.83A)	8.30 AH
	5 hour rate(1.50A)	7.50 AH
	1 hour rate(5.40A)	5.40 AH
	1.5 hour discharge to 5.25 V	3.6 A
Internal Resistance	Full charged Battery at 25°C(77°F)	11 mΩ
Capacity affected by Temperature (20hour rate)	40°C(104°F)	102%
	25°C(77°F)	100%
	0°C(32°F)	85%
	-15°C(5°F)	65%
Self-Discharge at 25°C(77°F)	Capacity after 3 month storage	91%
	Capacity after 6 month storage	82%
	Capacity after 12 month storage	64%
Terminal		T1、 T2
Charge (constant Voltage)	Cycle	Initial Charging Current less than 3.6 A Voltage 7.05-7.20 V
	Float	Voltage 6.75-6.90 V

### ● Discharge Curves 25°C(77°F)



**Constant Current(Amp) and Constant Power(Watt) Discharge Table at 25°C(77°F)**

Time		5min	10min	15min	30min	1h	2h	3h	4h	5h	8h	10h	20h
4.80V	A	32.4	20.3	15.8	10.4	5.40	3.15	2.32	1.86	1.58	1.04	0.85	0.47
	W	191.1	120.0	90.8	54.9	31.1	18.2	13.4	10.8	9.1	6.0	4.9	2.70
5.10V	A	29.7	19.9	14.5	9.83	5.07	3.02	2.25	1.80	1.55	1.02	0.84	0.45
	W	179.8	118.1	85.3	54.6	29.3	17.5	13.0	10.4	9.0	5.9	4.8	2.62
5.25V	A	27.5	19.0	13.5	9.52	4.91	2.96	2.21	1.71	1.50	1.01	0.83	0.45
	W	173.6	110.3	81.6	54.0	28.4	17.2	12.8	9.9	8.9	5.9	4.8	2.61
5.40V	A	25.1	18.2	12.6	9.09	4.74	2.89	2.18	1.68	1.46	0.99	0.81	0.44
	W	165.7	106.9	78.6	53.8	27.6	16.8	12.7	9.8	8.5	5.6	4.7	2.55
5.55V	A	21.7	17.1	11.7	8.46	4.57	2.81	2.06	1.65	1.40	0.96	0.79	0.43
	W	129.2	103.3	74.8	53.4	27.2	16.7	12.3	9.8	8.3	5.4	4.6	2.53