



SW6100(6V10AH)



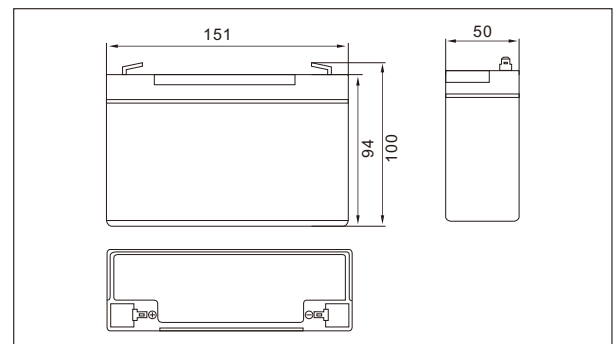
Specifications

Nominal Voltage		6 V
Rated capacity (20 hour rate)		10 Ah
Dimensions	Total Height	100mm(3.94 inches)
	Height	94 mm(3.70 inches)
	Length	151 mm(5.94 inches)
	Width	50 mm(1.97 inches)
Weight Approx		1.57 Kg(3.46 lbs)

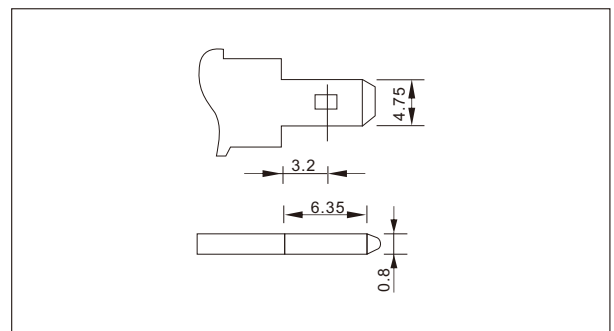
Characteristics

Capacity 25°C(77°F)	20 hour rate(0.50A)	10.0 AH
	10 hour rate(0.92A)	9.20 AH
Capacity affected by Temperature (20hour rate)	5 hour rate(1.70A)	8.50 AH
	1 hour rate(6.00A)	6.00 AH
	1.5 hour discharge to 5.25 V	4.0 A
Internal Resistance	Full charged Battery at 25°C(77°F)	10 mΩ
Capacity affected by Temperature (20hour rate)	40°C(104°F)	102%
	25°C(77°F)	100%
	0°C(32°F)	85%
Self-Discharge at 25°C(77°F)	-15°C(5°F)	65%
	Capacity after 3 month storage	91%
	Capacity after 6 month storage	82%
Terminal	Capacity after 12 month storage	64%
	T1, T2	
	Charge (constant Voltage)	Cycle
	Float	Voltage 6.75-6.90 V

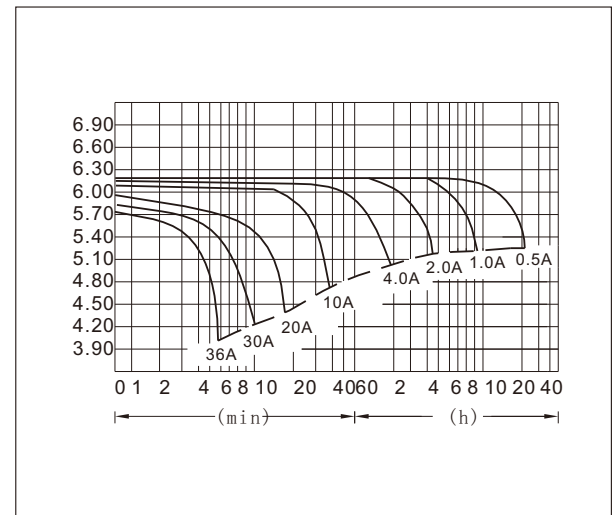
Outer dimensions (mm)



Terminal Type (mm)



Discharge Curves 25°C(77°F)



Constant Current(Amp) and Constant Power(Watt) Discharge Table at 25°C(77°F)

Time		5min	10min	15min	30min	1h	2h	3h	4h	5h	8h	10h	20h
4.80V	A	36.0	22.6	17.5	11.5	6.00	3.50	2.58	2.07	1.75	1.16	0.95	0.52
	W	212.3	133.3	100.8	61.0	34.6	20.3	14.9	12.0	10.1	6.7	5.5	3.00
5.10V	A	33.0	22.1	16.1	10.9	5.63	3.36	2.50	2.00	1.72	1.14	0.93	0.50
	W	199.8	131.3	94.8	60.6	32.5	19.4	14.5	11.6	10.0	6.6	5.4	2.92
5.25V	A	30.6	21.1	15.0	10.6	5.45	3.29	2.46	1.90	1.70	1.13	0.92	0.50
	W	192.9	122.5	90.6	60.0	31.5	19.1	14.2	11.0	9.9	6.5	5.3	2.90
5.40V	A	27.9	20.2	14.0	10.1	5.27	3.21	2.42	1.87	1.63	1.10	0.90	0.49
	W	184.2	118.8	87.3	59.8	30.6	18.7	14.1	10.9	9.5	6.3	5.2	2.83
5.55V	A	24.1	19.0	13.0	9.40	5.08	3.13	2.29	1.83	1.55	1.07	0.88	0.48
	W	143.5	114.8	83.1	59.4	30.2	18.5	13.6	10.8	9.3	6.0	5.1	2.81