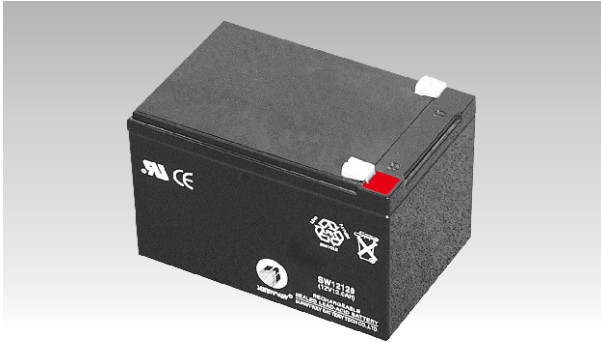
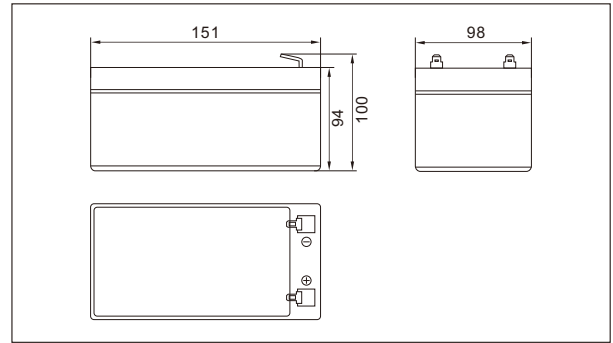




SW12120E(12V12AH)



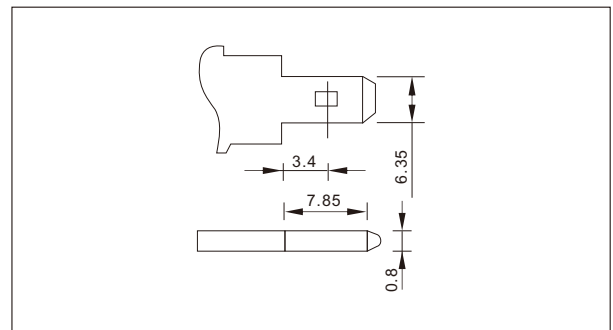
● **Outer dimensions (mm)**



● **Specifications**

Nominal Voltage		12V
Rated capacity (20 hour rate)		12Ah
Dimensions	Total Height	100 mm (3.94 inches)
	Height	94 mm (3.70 inches)
	Length	151 mm (5.94 inches)
	Width	98 mm (3.86 inches)
Weight Approx		3.60 Kg (7.90 lbs)

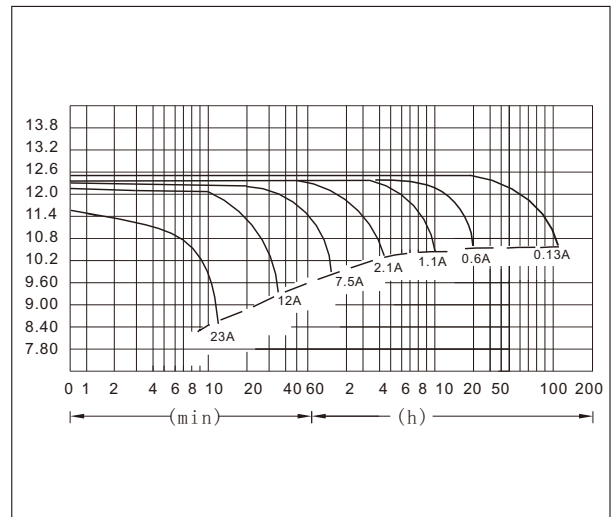
● **Terminal Type (mm)**



● **Characteristics**

Capacity 25°C(77°F)	20 hour rate(0.60 A)	12 AH
	10 hour rate(1.10 A)	11.0 AH
	5 hour rate(2.04 A)	10.2 AH
	1 hour rate(7.20 A)	7.20 AH
	1.5 hour discharge to 10.5V	4.8 A
Internal Resistance Full charged Battery at 25°C(77°F)		13 mΩ
Capacity affected by Temperature (20hour rate)	40°C(104°F)	102%
	25°C(77°F)	100%
	0°C(32°F)	85%
	-15°C(5°F)	65%
Self-Discharge at 25°C(77°F)	Capacity after 3 month storage	91%
	Capacity after 6 month storage	82%
	Capacity after 12 month storage	64%
Terminal		T2, T3
Charge (constant Voltage)	Cycle	Initial Charging Current less than 4.8A Voltage 14.40-15.00V
	Float	Voltage 13.50-13.80V

● **Discharge Curves 25°C(77°F)**



Constant Current(Amp) and Constant Power(Watt) Discharge Table at 25°C(77°F)												
Time		10min	30min	1h	3h	4h	5h	8h	10h	20h	50h	100h
9.60V	A	23	13	7	2.8	2.2	1.8	1.3	1.2	0.62	0.26	0.13
	W	258	134	76	33	25	21	15	13	7.2	3.1	1.6
10.20V	A	23	12	6.2	2.8	2.1	1.8	1.3	1.1	0.61	0.25	0.13
	W	248	133	72	32	25	21	14	13	7.0	3.0	1.5
10.50V	A	22	12	6	2.7	2.1	1.8	1.2	1.1	0.60	0.25	0.13
	W	240	126	70	31	24	20	14	13	7.0	2.9	1.5
10.80V	A	20	11	6	2.6	2.1	1.7	1.2	1.1	0.59	0.24	0.13
	W	231	121	67	30	24	20	14	13	6.9	2.9	1.5
11.10V	A	18	10	5	2.5	2.0	1.7	1.2	1.05	0.56	0.24	0.12
	W	227	120	65	30	24	20	14	12	6.7	2.8	1.4