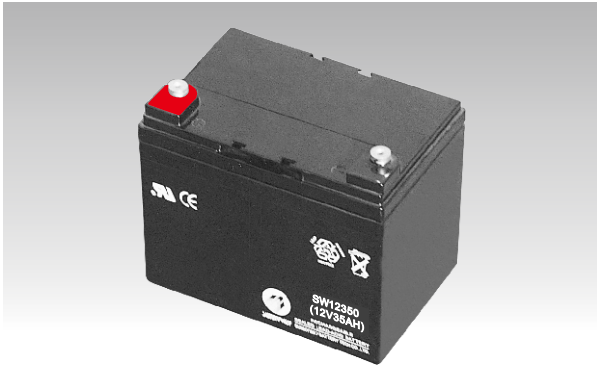
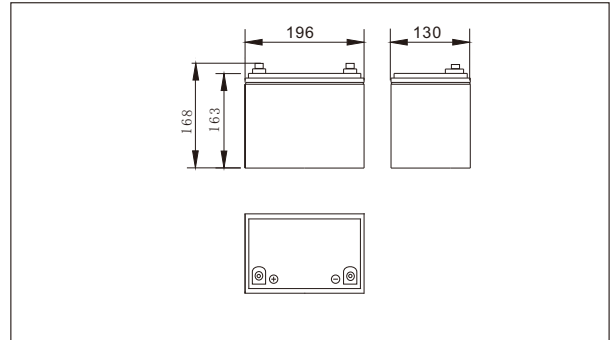




SW12350E(12V35AH)



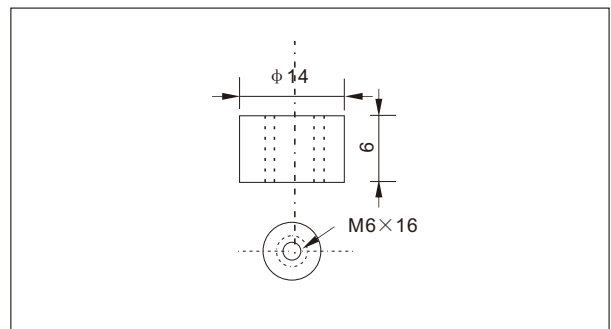
● Outer dimensions (mm)



● Specifications

Nominal Voltage		12V
Rated capacity (10 hour rate)		35 Ah
Dimensions	Total Height	168 mm (6.61 inches)
	Height	163 mm (6.42 inches)
	Length	196 mm (7.70 inches)
	Width	130 mm (5.12 inches)
Weight Approx		10.2Kg (22.5lbs)

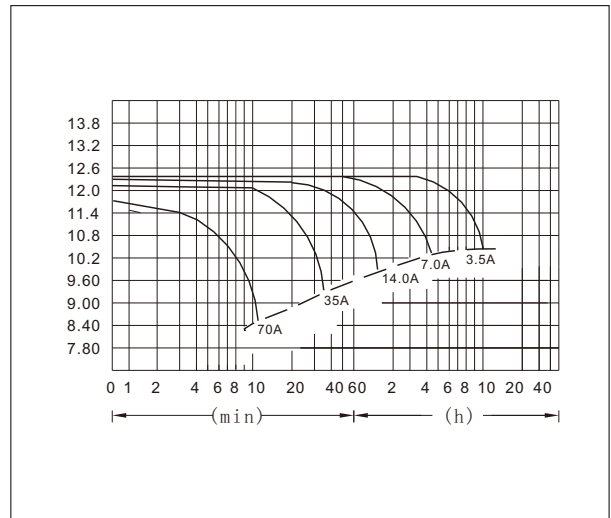
● Terminal Type (mm)



● Characteristics

Capacity 25°C(77°F)	10 hour rate(3.5 A)	35.0 AH
	5 hour rate(5.6 A)	28.0 AH
	1 hour rate(20.0 A)	20.0 AH
1.5 hour discharge to 10.5V		14.0 A
Internal Resistance Full charged Battery at 25°C(77°F)		10.5 mΩ
Capacity affected by Temperature (10hour rate)	40°C(104°F)	102%
	25°C(77°F)	100%
	0°C(32°F)	85%
	-15°C(5°F)	65%
Self-Discharge at 25°C(77°F)	Capacity after 3 month storage	91%
	Capacity after 6 month storage	82%
	Capacity after 12 month storage	64%
Terminal		T9、T16
Charge (constant Voltage)	Cycle	Initial Charging Current less than 8.75 A Voltage 14.10-14.40V
	Float	Voltage 13.50-13.80V

● Discharge Curves 25°C(77°F)



Constant Current(Amp) and Constant Power(Watt) Discharge Table at 25°C(72°F)

Time		10min	30min	1h	2h	3h	4h	5h	8h	10h	20h
9.60V	A	69.3	38.2	20.8	12.1	9.0	7.0	5.8	4.1	3.9	2.0
	W	735	406	223	131	98	77	63.7	45.0	42.7	22.3
10.20V	A	65.8	37.8	19.6	11.6	8.8	6.8	5.7	4.0	3.6	2.0
	W	724	418	218	129	99	77	64	45	41	22
10.50V	A	62.3	35.4	19.1	11.3	8.5	6.7	5.6	3.9	3.6	1.9
	W	698	398	216	128	98	77	64	45	41	22
10.80V	A	58.8	32.6	18.4	11.0	8.3	6.6	5.5	3.8	3.5	1.9
	W	667	371	210	127	97	77	64	45	41	22
11.10V	A	55.3	29.1	17.3	10.7	8.1	6.4	5.3	3.7	3.4	1.9
	W	636	336	201	125	95	76	63	44	40	22