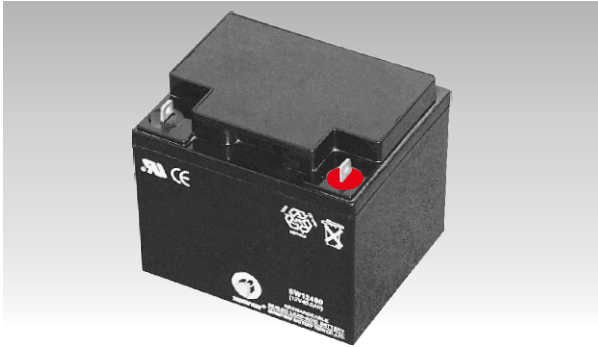
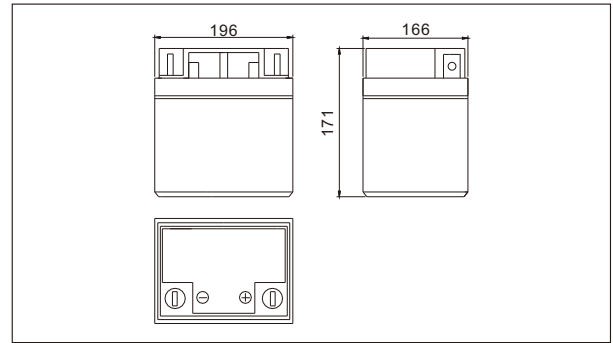




SW12400E(12V40AH)



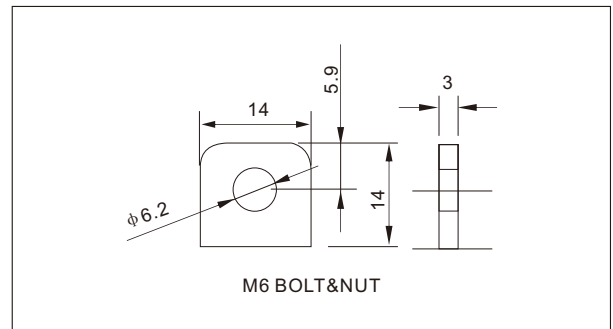
Outer dimensions (mm)



Specifications

Nominal Voltage	12V	
Rated capacity (10 hour rate)	40 Ah	
Dimensions	Total Height	171 mm (6.73 inches)
	Height	171 mm (6.73 inches)
	Length	196 mm (7.70 inches)
	Width	166mm (6.54 inches)
Weight Approx	12.5 Kg (27.60 lbs)	

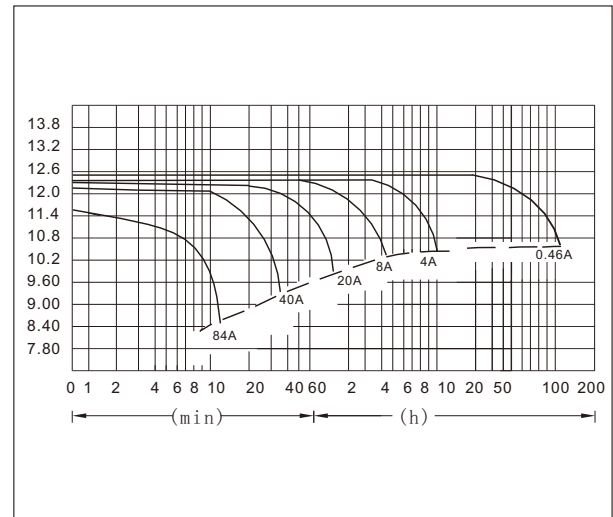
Terminal Type (mm)



Characteristics

Capacity 25°C(77°F)	10 hour rate(4.0 A)	40.0 AH
	5 hour rate(6.4 A)	32.0 AH
	1 hour rate(24 A)	24.0 AH
	1.5 hour discharge to 10.5V	16 A
Internal Resistance	Full charged Battery at 25°C(77°F)	9 mΩ
Capacity affected by Temperature (10hour rate)	40°C(104°F)	102%
	25°C(77°F)	100%
	0°C(32°F)	85%
	-15°C(5°F)	65%
Self-Discharge at 25°C(77°F)	Capacity after 3 month storage	91%
	Capacity after 6 month storage	82%
	Capacity after 12 month storage	64%
Terminal	T9、T16	
Charge (constant Voltage)	Cycle	Initial Charging Current less than 80 A Voltage 14.20-14.60V
	Float	Voltage 13.50-13.80V

Discharge Curves 25°C(77°F)



Constant Current(Amp) and Constant Power(Watt) Discharge Table at 25°C(77°F)

Time		10min	30min	1h	3h	4h	5h	8h	10h	20h	50h	100h
9.60V	A	84	46	24	10.3	8.0	6.6	4.7	4.2	2.27	0.94	0.48
	W	937	489	278	119	93	76	54	49	26.3	11.2	5.8
10.20V	A	82	44	22.6	10.0	7.8	6.5	4.6	4.1	2.21	0.91	0.47
	W	901	484	261	116	90	75	53	47	25.6	10.8	5.6
10.50V	A	78	42	22	9.8	7.7	6.4	4.5	4.0	2.18	0.90	0.46
	W	874	457	253	113	89	74	52	47	25.3	10.7	5.5
10.80V	A	73	41	21	9.5	7.6	6.2	4.4	3.9	2.16	0.88	0.46
	W	840	440	242	111	87	73	51	47	25.1	10.5	5.4
11.10V	A	67	38	20	9.2	7.3	6.1	4.3	3.80	2.05	0.86	0.44
	W	825	436	235	109	87	72	51	45	24.4	10.3	5.2