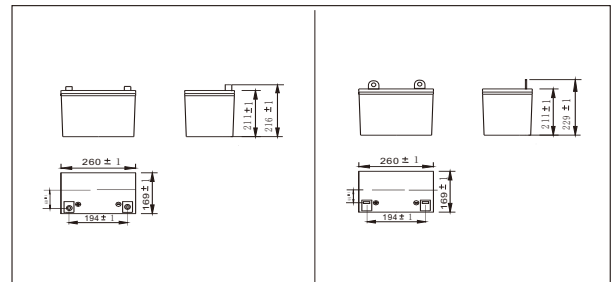




SW12700E(12V70AH)



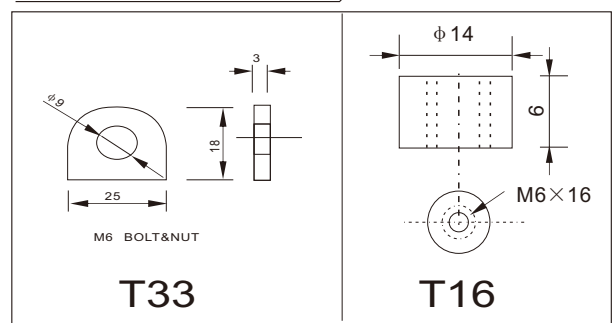
Outer dimensions (mm)



Specifications

Nominal Voltage		12V
Rated capacity (20 hour rate)		70 Ah
Dimensions	Total Height	T33 229 mm (9.02 inches)
		T16 216 mm (8.50 inches)
	Height	211 mm (8.30 inches)
	Length	260 mm (10.2 inches)
Width		169mm (6.65 inches)
Weight Approx		21.5Kg (47.4 lbs)

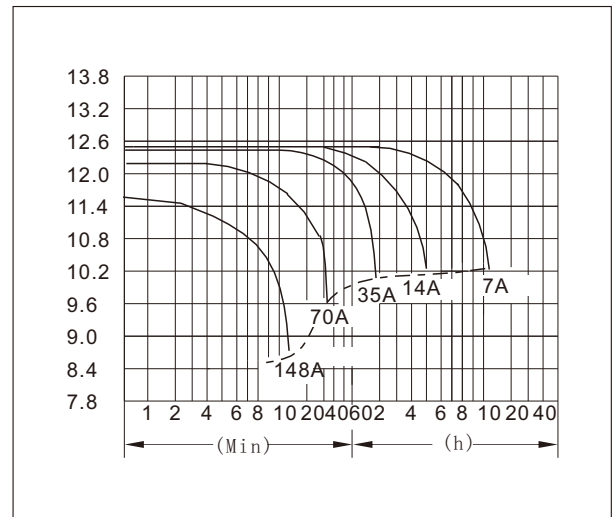
Terminal Type (mm)



Characteristics

Capacity 25°C(77°F)	10 hour rate(7.0 A)	70 AH
	5 hour rate(11.2 A)	56 AH
	1 hour rate(42.0 A)	42 AH
	1.5 hour discharge to 10.5V	28 A
Internal Resistance	Full charged Battery at 25°C(77°F)	8 mΩ
Capacity affected by Temperature (10hour rate)	40°C(104°F)	102%
	25°C(77°F)	100%
	0°C(32°F)	85%
	-15°C(5°F)	65%
Self-Discharge at 25°C(77°F)	Capacity after 3 month storage	91%
	Capacity after 6 month storage	82%
	Capacity after 12 month storage	64%
Terminal		T33、T16
Charge (constant Voltage)	Cycle	Initial Charging Current less than 17.5 A Voltage 14.10-14.40V
	Float	Voltage 13.50-13.80V

Discharge Curves 25°C(77°F)



Constant Current(Amp) and Constant Power(Watt) Discharge Table at 25°C(72°F)

Time		10min	30min	1h	2h	3h	4h	5h	8h	10h	20h
9.60V	A	140.0	77.0	42.0	24.5	18.2	14.7	12.5	8.1	7.7	4.0
	W	1484	820	449	265	198	162	137.1	90.0	85.5	44.7
10.20V	A	133.0	77.7	39.5	23.4	17.9	14.4	12.2	8.0	7.2	3.9
	W	1463	859	438	262	202	163	138	90	82	44
10.50V	A	126.0	71.4	38.5	22.8	17.5	14.0	11.9	7.9	7.1	3.9
	W	1411	803	435	260	200	161	137	91	82	45
10.80V	A	119.0	65.8	37.1	22.3	17.2	13.7	10.6	7.7	7.0	3.8
	W	1351	750	425	257	199	159	124	89	82	45
11.10V	A	112.0	58.8	35.0	21.7	16.5	13.3	10.2	7.5	6.8	3.8
	W	1288	679	406	254	193	157	120	88	81	45