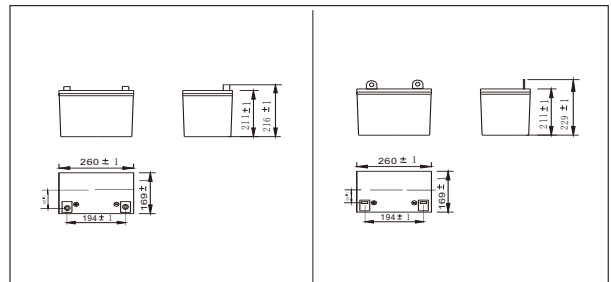




SW12800E(12V80AH)



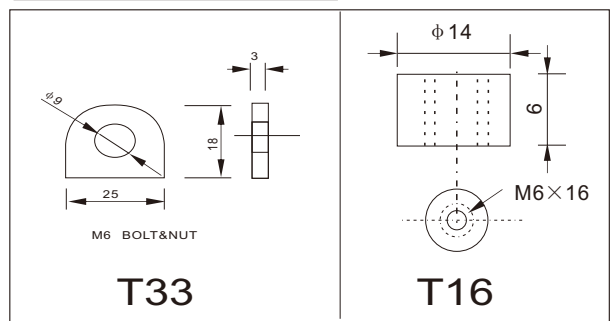
Outer dimensions (mm)



Specifications

Nominal Voltage		12V	
Rated capacity (10 hour rate)		80 Ah	
Dimensions	Total Height	T33	229 mm (9.02 inches)
		T16	216 mm (8.50 inches)
	Height	211 mm (8.30 inches)	
	Length	260 mm (10.2 inches)	
Width		169mm (6.65 inches)	
Weight Approx		23Kg (50.7 lbs)	

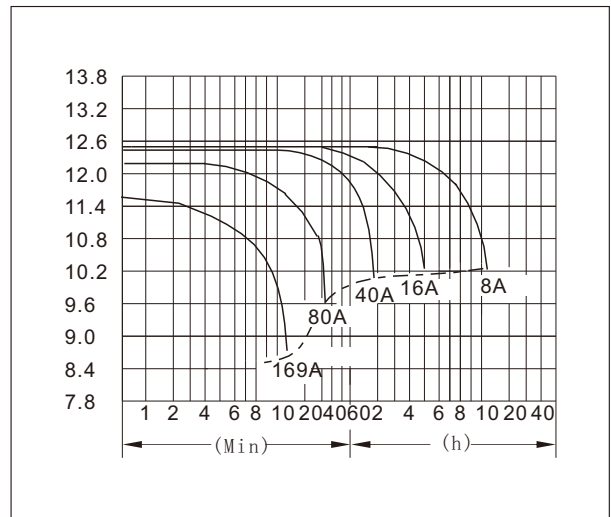
Terminal Type (mm)



Characteristics

Capacity 25°C(77°F)	10 hour rate(8.0 A)	80 AH
	5 hour rate(12.8 A)	64 AH
	1 hour rate(48.0 A)	48 AH
1.5 hour discharge to 10.5V		32 A
Internal Resistance	Full charged Battery at 25°C(77°F) 7 mΩ	
Capacity affected by Temperature (10hour rate)	40°C(104°F)	102%
	25°C(77°F)	100%
	0°C(32°F)	85%
	-15°C(5°F)	65%
Self-Discharge at 25°C(77°F)	Capacity after 3 month storage	91%
	Capacity after 6 month storage	82%
	Capacity after 12 month storage	64%
Terminal		T33、T16
Charge (constant Voltage)	Cycle	Initial Charging Current less than 32 A Voltage 14.10-14.40V
	Float	Voltage 13.50-13.80V

Discharge Curves 25°C(77°F)



Constant Current(Amp) and Constant Power(Watt) Discharge Table at 25°C(72°F)

Time		10min	30min	1h	2h	3h	4h	5h	8h	10h	20h
9.60V	A	160.0	88.0	48.0	28.0	20.6	16.0	13.2	9.3	8.8	4.6
	W	1696	937	514	302	225	176	145.6	102.9	97.7	51.1
10.20V	A	152.0	88.8	45.1	26.7	20.0	15.6	13.0	9.1	8.3	4.5
	W	1672	981	501	299	226	177	147	103	94	51
10.50V	A	144.0	81.6	44.0	26.1	19.5	15.4	12.8	9.0	8.2	4.4
	W	1613	918	497	297	224	177	147	104	94	51
10.80V	A	136.0	75.2	42.4	25.4	19.0	15.1	12.5	8.8	8.0	4.4
	W	1544	857	485	294	221	176	145	102	93	51
11.10V	A	128.0	67.2	40.0	24.8	18.4	14.7	12.2	8.5	7.8	4.3
	W	1472	776	464	290	216	173	143	101	92	51