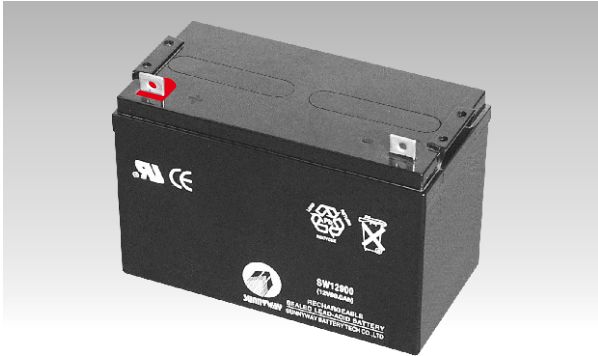
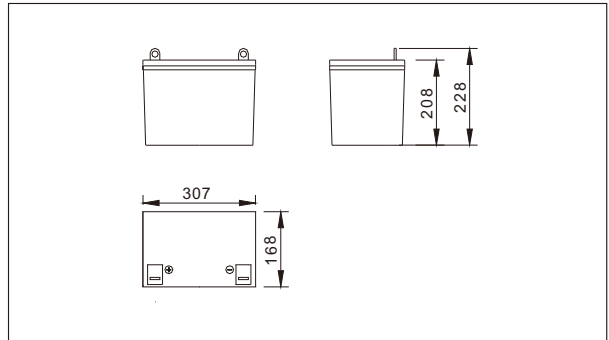




## SW12900E(12V90AH)



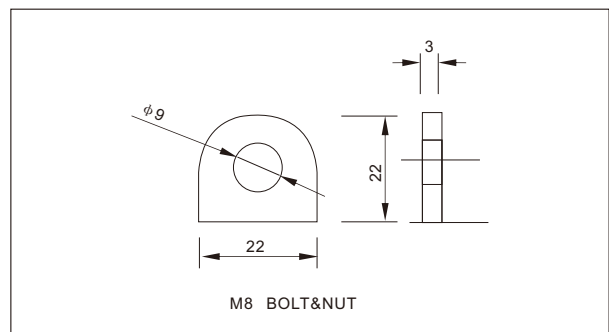
### ● Outer dimensions (mm)



### ● Specifications

Nominal Voltage	12V	
Rated capacity (10 hour rate)	90 Ah	
Dimensions	Total Height	228 mm (8.98 inches)
	Height	208 mm (8.19 inches)
	Length	307 mm (12.1 inches)
	Width	168 mm (6.61 inches)
Weight Approx	27 Kg (59.5 lbs)	

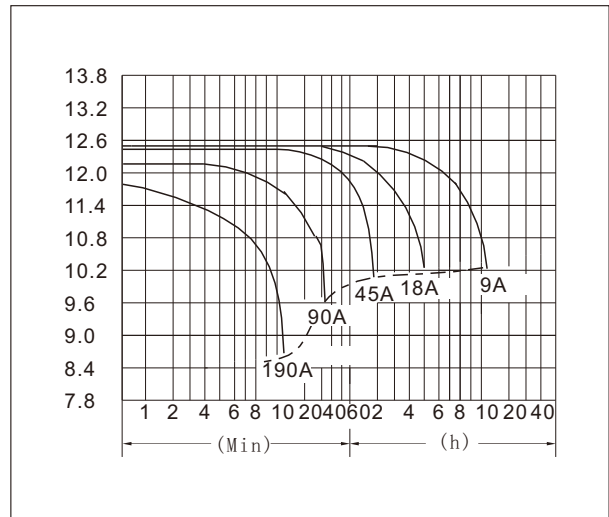
### ● Terminal Type (mm)



### ● Characteristics

Capacity 25°C(77°F)	10 hour rate(9.0 A)	90 AH
	5 hour rate(14.4 A)	72 AH
	1 hour rate(54.0 A)	54 AH
	1.5 hour discharge to 10.5V	36 A
Internal Resistance	Full charged Battery at 25°C(77°F)	5 mΩ
Capacity affected by Temperature (10hour rate)	40°C(104°F)	102%
	25°C(77°F)	100%
	0°C(32°F)	85%
	-15°C(5°F)	65%
Self-Discharge at 25°C(77°F)	Capacity after 3 month storage	91%
	Capacity after 6 month storage	82%
	Capacity after 12 month storage	64%
Terminal	T10、T16	
Charge (constant Voltage)	Cycle	Initial Charging Current less than 22.5 A Voltage 14.10-14.40V
	Float	Voltage 13.50-13.80V

### ● Discharge Curves 25°C(77°F)



**Constant Current(Amp) and Constant Power(Watt) Discharge Table at 25°C(72°F)**

Time		10min	30min	1h	2h	3h	4h	5h	8h	10h	20h
9.60V	A	180.0	99.0	54.0	31.5	23.4	18.9	16.0	10.4	9.9	5.1
	W	1908	1054	578	340	255	208	176.2	115.7	109.9	57.5
10.20V	A	171.0	98.1	50.8	30.1	23.0	18.5	15.7	10.2	9.3	5.0
	W	1881	1084	563	337	259	209	178	116	106	57
10.50V	A	162.0	91.8	49.5	29.3	22.5	18.0	15.3	10.1	9.2	5.0
	W	1814	1033	559	334	258	207	176	116	106	57
10.80V	A	153.0	84.6	47.7	28.6	22.1	17.6	13.7	9.9	9.0	4.9
	W	1737	964	546	331	256	204	159	115	105	57
11.10V	A	144.0	75.6	45.0	27.9	21.2	17.1	13.1	9.6	8.8	4.9
	W	1656	873	522	326	249	202	154	113	104	57