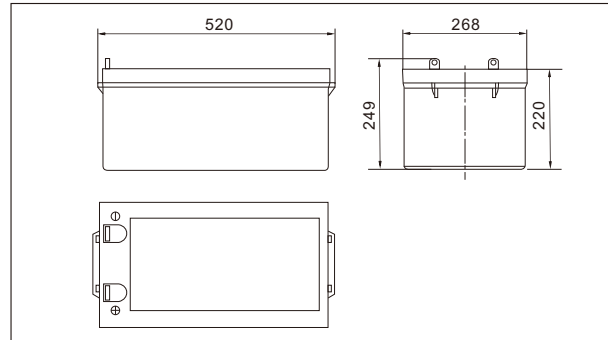




SW122500E(12V250AH)



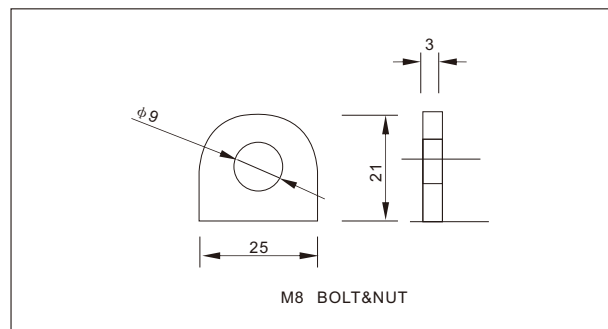
Outer dimensions (mm)



Specifications

Nominal Voltage		12V
Rated capacity (10 hour rate)		250 Ah
Dimensions	Total Height	249 mm (9.80inches)
	Height	220 mm (8.66 inches)
	Length	520 mm (20.47 inches)
	Width	268 mm (10.55 inches)
Weight Approx		70 Kg (154.3lbs)

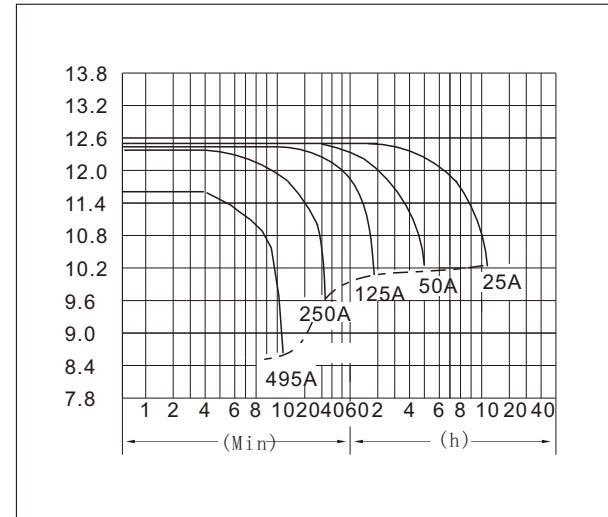
Terminal Type (mm)



Characteristics

Capacity 25°C(77°F)	10 hour rate(25.0 A)	250 AH
	5 hour rate(40.0 A)	200AH
	1 hour rate(137.5 A)	137.5 AH
	1.5 hour discharge to 10.5V	100 A
Internal Resistance	Full charged Battery at 25°C(77°F)	4.5 mΩ
Capacity affected by Temperature (10hour rate)	40°C(104°F)	102%
	25°C(77°F)	100%
	0°C(32°F)	85%
	-15°C(5°F)	65%
Self-Discharge at 25°C(77°F)	Capacity after 3 month storage	91%
	Capacity after 6 month storage	82%
	Capacity after 12 month storage	64%
Terminal	T11, T19	
Charge (constant Voltage)	Cycle	Initial Charging Current less than 62.5 A Voltage 14.10-14.40V
	Float	Voltage 13.50-13.80V

Discharge Curves 25°C(77°F)



Constant Current(Amp) and Constant Power(Watt) Discharge Table at 25°C(72°F)

Time		10min	30min	1h	2h	3h	4h	5h	8h	10h	20h
9.60V	A	495.0	272.5	148.8	86.5	64.5	50.0	41.4	29.0	27.5	14.3
	W	5247	2902	1592	934	703	550	454.9	321.4	305.3	159.6
10.20V	A	470.0	270.0	140.0	82.5	62.5	48.8	40.5	28.4	25.9	14.0
	W	5170	2984	1554	924	706	553	460	323	294	159
10.50V	A	445.0	252.5	136.3	80.5	61.0	48.0	40.0	28.1	25.5	13.8
	W	4984	2841	1540	918	698	552	460	323	293	159
10.80V	A	420.0	232.5	131.3	78.5	59.5	47.3	39.0	27.4	25.0	13.7
	W	4767	2651	1503	907	690	550	454	319	291	159
11.10V	A	395.0	207.5	123.8	76.5	57.5	45.8	38.0	26.7	24.4	13.5
	W	4543	2397	1436	895	676	541	448	315	288	159