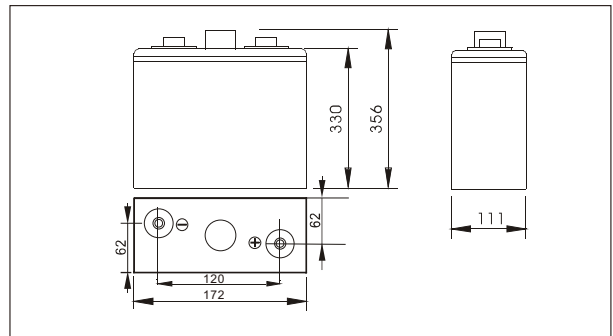




SW22000E(2V200AH)



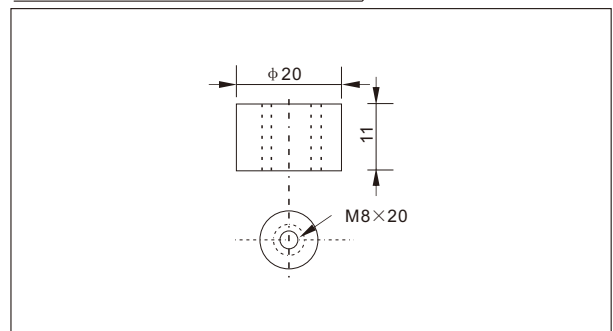
Outer dimensions (mm)



Specifications

Nominal Voltage	2 V	
Rated capacity (10 hour rate)	200 Ah	
Dimensions	Total Height	356 mm (14.0 inches)
	Height	330 mm (13.0 inches)
	Length	172 mm (6.8 inches)
	Width	111 mm (4.8 inches)
Weight Approx	12.6 Kg (27.8 lbs)	

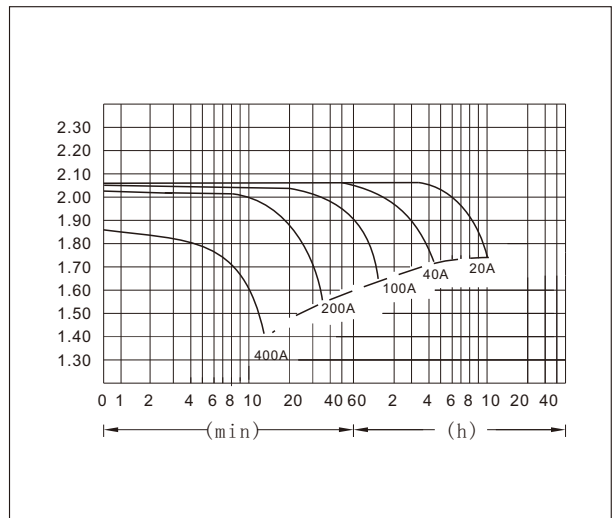
Terminal Type (mm)



Characteristics

Capacity 25°C(77°F)	10 hour rate(20 A)	200 AH
	5 hour rate(32A)	160 AH
	1 hour rate(120 A)	120 AH
	1.5 hour discharge to 1.75 V	80 A
Internal Resistance	Full charged Battery at 25°C(77°F)	1.3 mΩ
Capacity affected by Temperature (10hour rate)	40°C(104°F)	102%
	25°C(77°F)	100%
	0°C(32°F)	85%
	-15°C(5°F)	65%
Self-Discharge at 25°C(77°F)	Capacity after 3 month storage	91%
	Capacity after 6 month storage	82%
	Capacity after 12 month storage	64%
Terminal	T20	
Charge (constant Voltage)	Cycle	Initial Charging Current less than 50.0 A Voltage 2.35-2.40V
	Float	Voltage 2.25-2.30V

Discharge Curves 25°C(77°F)



Time		10min	30min	1h	2h	3h	4h	5h	8h	10h	20h
1.60V	A	398.0	228.0	120.0	70.0	51.6	40.0	33.68	23.2	22.0	11.4
	W	782	408	232	136	100	78.0	64.0	44.0	41.0	21.8
1.70V	A	378.0	222.0	112.8	66.8	50.0	39.0	33.0	22.8	20.7	11.2
	W	752	404	218	128	96	76.0	62.0	44.0	39.0	21.4
1.75V	A	358.0	204.0	110.0	65.2	48.8	38.4	32.7	22.5	20.4	11.1
	W	728	380	210	126	94	74.0	61.2	43.4	38.6	21.0
1.80V	A	338.0	188.0	106.0	63.6	47.6	37.8	30.8	21.9	20.0	10.9
	W	700	366	202	124	92	72.4	60.0	42.0	38.4	20.8
1.85V	A	318.0	168.0	100.0	62.0	46.0	36.7	30.2	21.3	19.5	10.8
	W	660	336	196	122	92	71.0	59.6	40.2	38.0	20.5