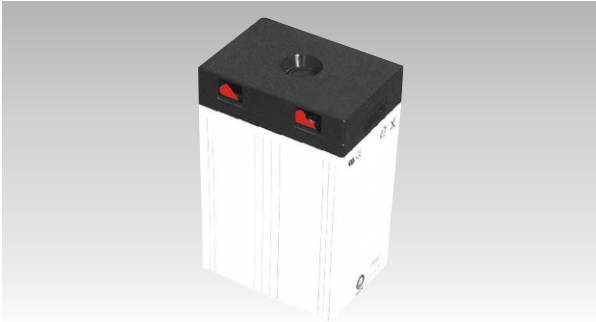
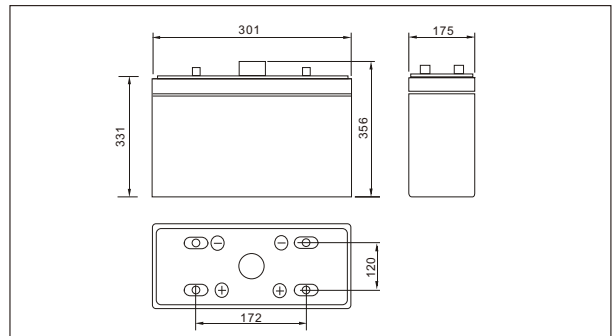




SW26000E(2V600AH)



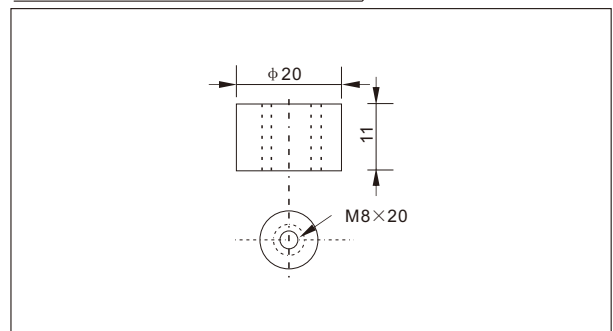
Outer dimensions (mm)



Specifications

Nominal Voltage	2 V	
Rated capacity (10 hour rate)	600 Ah	
Dimensions	Total Height	356mm (14.0 inches)
	Height	330mm (13.0 inches)
	Length	301mm (11.9 inches)
	Width	175mm (6.89 inches)
Weight Approx	36.5 Kg (80.4 lbs)	

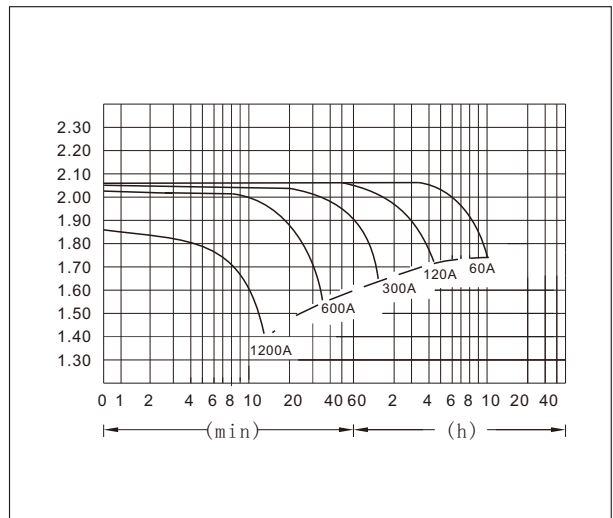
Terminal Type (mm)



Characteristics

Capacity 25°C(77°F)	10 hour rate(60 A)	600 AH
	5 hour rate(96A)	480 AH
	1 hour rate(360 A)	360 AH
	1.5 hour discharge to 1.75 V	240 A
Internal Resistance	Full charged Battery at 25°C(77°F)	0.5 mΩ
Capacity affected by Temperature (10hour rate)	40°C(104°F)	102%
	25°C(77°F)	100%
	0°C(32°F)	85%
	-15°C(5°F)	65%
Self-Discharge at 25°C(77°F)	Capacity after 3 month storage	91%
	Capacity after 6 month storage	82%
	Capacity after 12 month storage	64%
Terminal	T20	
Charge (constant Voltage)	Cycle	Initial Charging Current less than 150 A Voltage 2.35-2.40V
	Float	Voltage 2.25-2.30V

Discharge Curves 25°C(77°F)



Constant Current(Amp) and Constant Power(Watt) Discharge Table at 25°C(77°F)

Time		10min	30min	1h	2h	3h	4h	5h	8h	10h	20h
		1.60V	A	1194.0	684.0	360.0	210.0	154.8	120.0	101.05	69.5
	W	2346	1224	696	408	300	234.0	192.0	132.0	123.0	65.3
1.70V	A	1134.0	666.0	338.4	200.4	150.0	117.0	99.0	68.3	62.1	33.6
	W	2256	1212	654	384	288	228.0	186.0	132.0	117.0	64.2
1.75V	A	1074.0	612.0	330.0	195.6	146.4	115.2	98.2	67.5	61.2	33.2
	W	2184	1140	630	378	282	222.0	183.6	130.2	115.8	63.0
1.80V	A	1014.0	564.0	318.0	190.8	142.8	113.4	92.4	65.7	60.0	32.8
	W	2100	1098	606	372	276	217.2	180.0	126.0	115.2	62.4
1.85V	A	954.0	504.0	300.0	186.0	138.0	110.0	90.6	64.0	58.5	32.4
	W	1980	1008	588	366	276	213.0	178.8	120.6	114.0	61.5