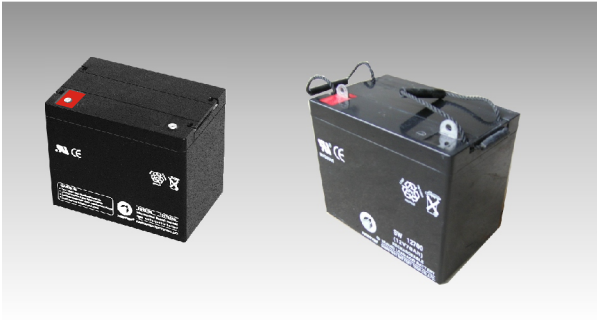
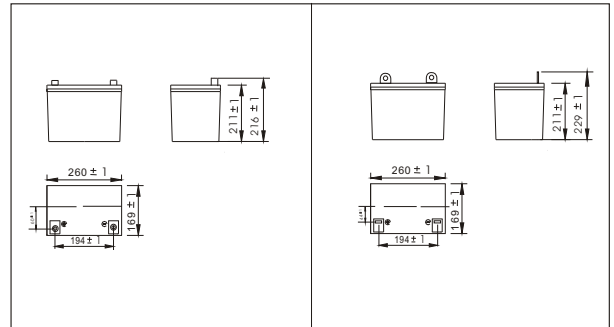




SW12700(12V70AH)



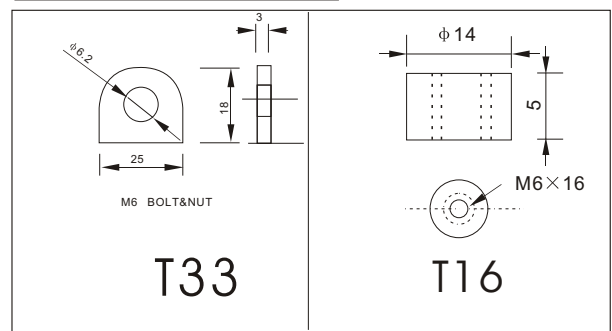
Outer dimensions (mm)



Specifications

| | | | |
|-------------------------------|--------------|----------------------|----------------------|
| Nominal Voltage | | 12V | |
| Rated capacity (10 hour rate) | | 70 Ah | |
| Dimensions | Total Height | T33 | 229 mm (9.01 inches) |
| | | T16 | 216 mm (8.50 inches) |
| | Height | 211 mm (8.30 inches) | |
| | Length | 260 mm (10.2 inches) | |
| Width | | 169 mm (6.65 inches) | |
| Weight Approx | | 21.5 Kg (47.3 lbs) | |

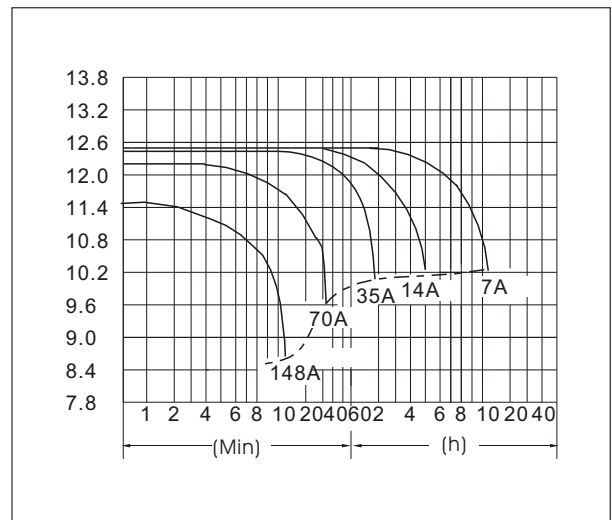
Terminal Type (mm)



Characteristics

| | | |
|--|---|---|
| Capacity 25°C(77°F) | 10 hour rate(7.0A) 5 hour rate(11.2 A) 1 hour rate(42.0A) | 70 AH 56 AH 42 AH |
| Internal Resistance | Full charged Battery at 25°C(77°F) | approx 5.0 mΩ |
| Capacity affected by Temperature (10hour rate) | 40°C(104°F) 25°C(77°F) 0°C(32°F) -15°C(5°F) | 102% 100% 85% 65% |
| Self-Discharge at 25°C(77°F) | Capacity after 3 month storage Capacity after 6 month storage Capacity after 12 month storage | 91% 82% 64% |
| Terminal | T16 T33 | |
| Charge (constant Voltage) | Cycle | Initial Charging Current less than 28 A Voltage 14.10-14.40V |
| | Float | Voltage 13.50-13.80V |

Discharge Curves 25°C(77°F)



Constant Current(Amp) and Constant Power(Watt) Discharge Table at 25°C(77°F)

| Time | | 5min | 10min | 15min | 30min | 1h | 2h | 3h | 4h | 5h | 8h | 10h | 20h |
|--------|---|------|-------|-------|-------|------|------|------|------|------|------|------|------|
| 9.60V | A | 224 | 148 | 119 | 79.8 | 42 | 24.5 | 18 | 14 | 11.6 | 8.19 | 7.35 | 3.97 |
| | W | 2314 | 1577 | 1277 | 858 | 454 | 269 | 200 | 158 | 131 | 94 | 85 | 46.2 |
| 10.20V | A | 217 | 133 | 112 | 76.3 | 39.5 | 23.4 | 17.5 | 13.7 | 11.3 | 7.98 | 7.21 | 3.85 |
| | W | 2319 | 1488 | 1255 | 857 | 447 | 269 | 203 | 159 | 132 | 93 | 85 | 45.2 |
| 10.50V | A | 210 | 119 | 98 | 71.4 | 38.2 | 22.8 | 17.1 | 13.4 | 11.2 | 7.91 | 7.07 | 3.85 |
| | W | 2294 | 1356 | 1119 | 822 | 443 | 265 | 199 | 157 | 131 | 93 | 84 | 45.5 |
| 10.80V | A | 202 | 112 | 91 | 65.8 | 37 | 22.3 | 16.7 | 13.2 | 10.9 | 7.7 | 7 | 3.78 |
| | W | 2271 | 1296 | 1050 | 762 | 430 | 261 | 196 | 156 | 129 | 91 | 83 | 45 |
| 11.10V | A | 196 | 105 | 84 | 58.8 | 35.7 | 21.7 | 16.1 | 12.9 | 10.6 | 7.49 | 6.65 | 3.57 |
| | W | 2219 | 1219 | 979 | 688 | 420 | 256 | 191 | 153 | 127 | 90 | 80.3 | 43.3 |