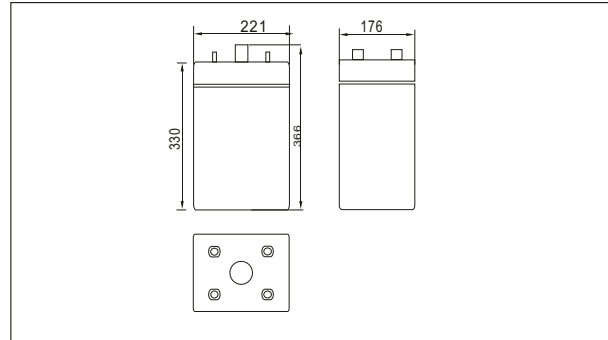




SW23500E(2V350AH)



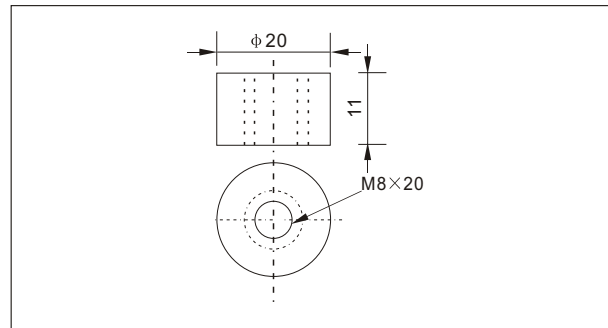
Outer dimensions (mm)



Specifications

Nominal Voltage		2 V
Rated capacity (10 hour rate)		350 Ah
Dimensions	Total Height	366 mm (14.4 inches)
	Height	330 mm (13.0 inches)
	Length	211 mm (8.3 inches)
	Width	176 mm (6.9 inches)
Weight Approx		24.5 Kg (54.0 lbs)

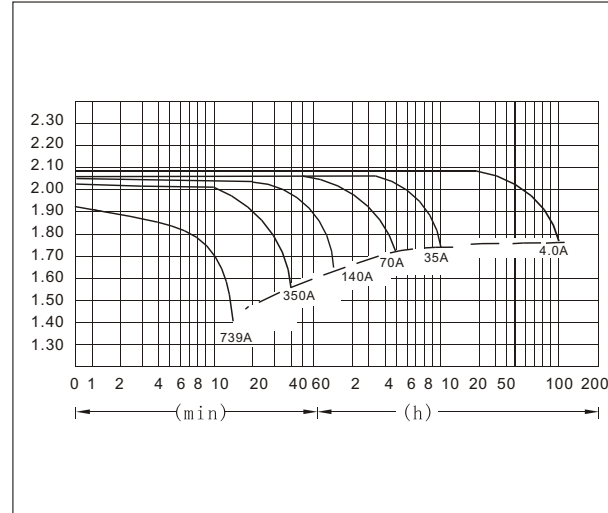
Terminal Type (mm)



Characteristics

Capacity 25°C(77°F)	10 hour rate(35A)	350 AH
	5 hour rate(56A)	280 AH
	1 hour rate(193A)	193AH
	1.5 hour discharge to 1.75 V	140 A
Internal Resistance	Full charged Battery at 25°C(77°F)	1.4 mΩ
Capacity affected by Temperature (10hour rate)	40°C(104°F)	102%
	25°C(77°F)	100%
	0°C(32°F)	85%
	-15°C(5°F)	65%
Self-Discharge at 25°C(77°F)	Capacity after 3 month storage	91%
	Capacity after 6 month storage	82%
	Capacity after 12 month storage	64%
Terminal		T20
Charge (constant Voltage)	Cycle	Initial Charging Current less than 87.5A Voltage 2.35-2.40V
	Float	Voltage 2.25-2.30V

Discharge Curves 25°C(77°F)



Constant Current(Amp) and Constant Power(Watt) Discharge Table at 25 °C(77 °F)

Time		10min	30min	1h	3h	4h	5h	8h	10h	20h	50h	100h
1.60V	A	739	399	210	90.0	70.0	57.8	40.7	36.8	19.85	8.3	4.2
	W	1367	712	405	174	135	111	79	71	38.3	16.4	8.4
1.70V	A	718	389	197.4	87.5	68.3	56.7	39.8	35.8	19.36	8.0	4.1
	W	1315	706	381	169	132	109	77	69	37.4	15.8	8.2
1.75V	A	686	370	191	85.4	67.2	56.0	39.6	35.0	19.11	7.8	4.0
	W	1274	666	369	165	130	108	76	68	36.9	15.6	8.0
1.80V	A	641	357	185	83.3	66.2	54.6	38.5	34.1	18.90	7.7	4.0
	W	1224	641	353	162	127	106	75	68	36.7	15.3	7.9
1.85V	A	588	329	174	80.5	64.2	53.2	37.5	33.25	17.96	7.6	3.9
	W	1203	636	343	160	126	106	74	66	35.6	15.0	7.6