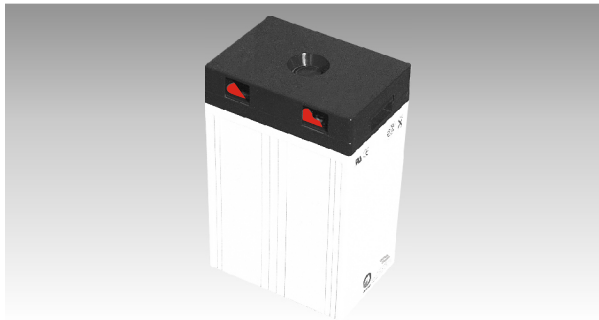
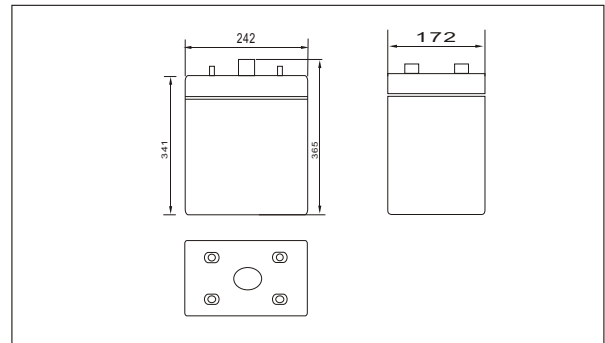




SW25000E(2V500AH)



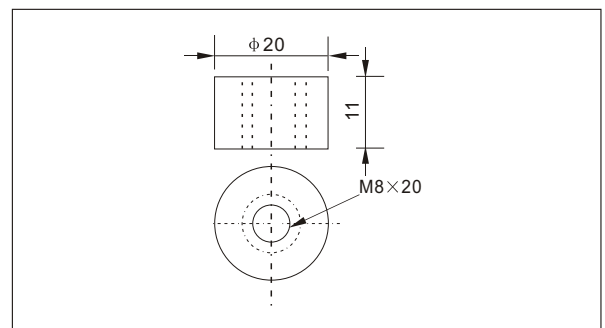
Outer dimensions (mm)



Specifications

Nominal Voltage		2 V
Rated capacity (10hour rate)		500 Ah
Dimensions	Total Height	365 mm (14.4 inches)
	Height	341 mm (13.4 inches)
	Length	242 mm (9.5 inches)
	Width	172 mm (6.8 inches)
Weight Approx		32 .0Kg (70.5 lbs)

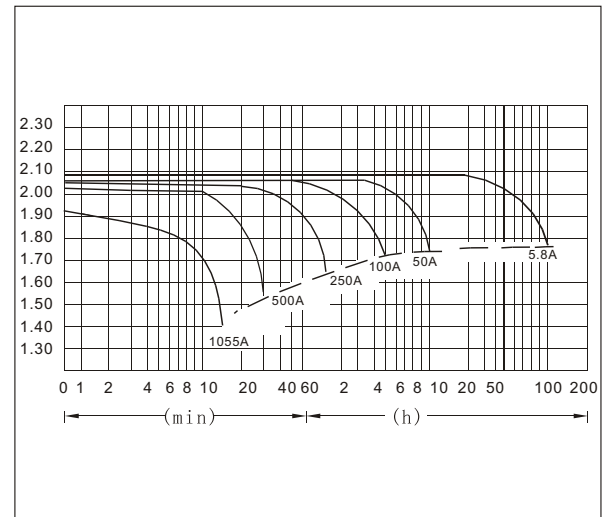
Terminal Type (mm)



Characteristics

Capacity 25°C(77°F)	10 hour rate(50A)	500 AH
	5 hour rate(80A)	400 AH
	1 hour rate(275A)	275 AH
	1.5 hour discharge to 1.75 V	200 A
Internal Resistance	Full charged Battery at 25°C(77°F)	1.5 mΩ
Capacity affected by Temperature (10hour rate)	40°C(104°F)	102%
	25°C(77°F)	100%
	0°C(32°F)	85%
	-15°C(5°F)	65%
Self-Discharge at 25°C(77°F)	Capacity after 3 month storage	91%
	Capacity after 6 month storage	82%
	Capacity after 12 month storage	64%
Terminal		T20
Charge (constant Voltage)	Cycle	Initial Charging Current less than 125 A Voltage 2.35-2.40V
	Float	Voltage 2.25-2.30V

Discharge Curves 25°C(77°F)



Time	10min	30min	1h	3h	4h	5h	8h	10h	20h	50h	100h	
1.60V	A	1055	570	300	128.5	100.0	82.5	58.2	52.5	28.35	11.8	6.1
	W	1953	1018	579	248	193	159	112	101	54.7	23.4	12.0
1.70V	A	1025	555	282.0	125.0	97.5	81.0	56.9	51.2	27.65	11.4	5.9
	W	1878	1008	544	241	188	156	110	99	53.4	22.6	11.7
1.75V	A	980	528	273	122.0	96.0	80.0	56.5	50.0	27.30	11.2	5.8
	W	1820	952	527	235	185	154	109	98	52.7	22.3	11.4
1.80V	A	915	511	264	119.0	94.5	78.0	55.0	48.8	27.00	11.0	5.7
	W	1749	916	504	231	181	151	107	97	52.4	21.8	11.3
1.85V	A	840	470	249	115.0	91.7	76.0	53.5	47.50	25.65	10.8	5.5
	W	1719	908	491	228	181	151	106	94	50.9	21.4	10.9