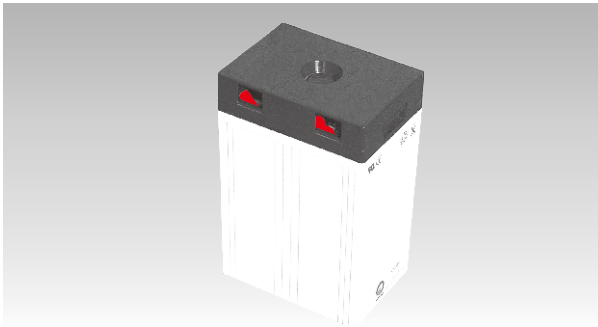
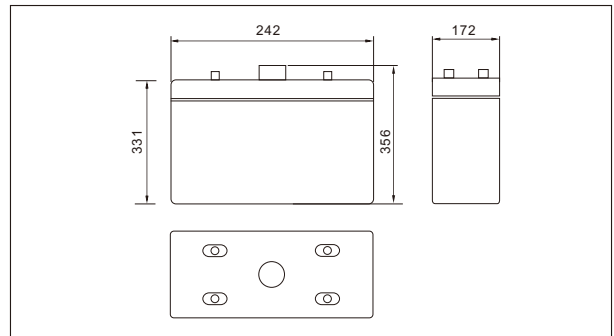




# SW25000(2V500AH)



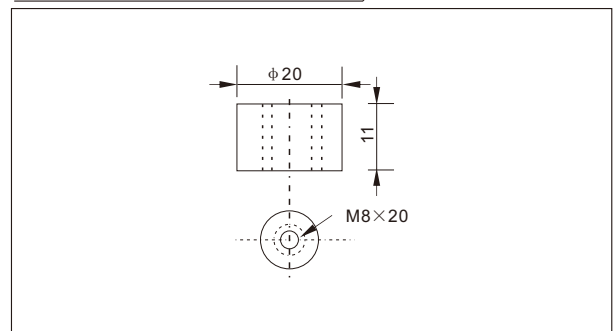
### Outer dimensions (mm)



### Specifications

Nominal Voltage	2 V	
Rated capacity (10 hour rate)	500 Ah	
Dimensions	Total Height	365 mm (14.4 inches)
	Height	331 mm (13.0 inches)
	Length	242 mm (9.5 inches)
	Width	172 mm (6.8 inches)
Weight Approx	30.0 Kg (66.1 lbs)	

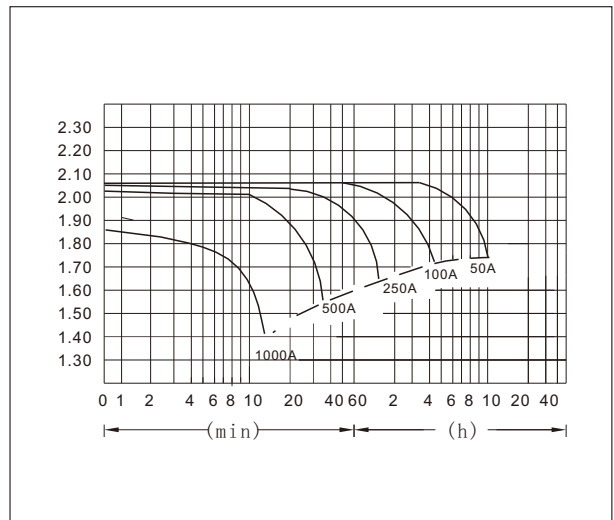
### Terminal Type (mm)



### Characteristics

Capacity 25°C(77°F)	10 hour rate(50 A)	500 AH
	5 hour rate(80A)	400 AH
	1 hour rate(300 A)	300 AH
	1.5 hour discharge to 1.75 V	200 A
Internal Resistance	Full charged Battery at 25°C(77°F)	0.5 mΩ
Capacity affected by Temperature (10hour rate)	40°C(104°F)	102%
	25°C(77°F)	100%
	0°C(32°F)	85%
	-15°C(5°F)	65%
Self-Discharge at 25°C(77°F)	Capacity after 3 month storage	91%
	Capacity after 6 month storage	82%
	Capacity after 12 month storage	64%
Terminal	T20	
Charge (constant Voltage)	Cycle	Initial Charging Current less than 125.0 A Voltage 2.35-2.40V
	Float	Voltage 2.25-2.30V

### Discharge Curves 25°C(77°F)



Constant Current(Amp) and Constant Power(Watt) Discharge Table at 25°C (77°F)

Time		10min	30min	1h	2h	3h	4h	5h	8h	10h	20h
1.60V	A	995.0	570.0	300.0	175.0	129.0	100.0	82.7	57.9	55.0	28.5
	W	1955	1020	580	340	250	195.0	160.0	110.0	102.5	54.5
1.70V	A	945.0	555.0	282.0	167.0	125.0	97.5	81.0	56.9	51.8	28.0
	W	1880	1010	545	320	240	190.0	155.0	110.0	97.5	53.5
1.75V	A	895.0	510.0	275.0	163.0	122.0	96.0	80.0	56.3	51.0	27.7
	W	1820	950	525	315	235	185.0	153.0	108.5	96.5	52.5
1.80V	A	845.0	470.0	265.0	159.0	119.0	94.5	78.0	54.8	50.0	27.3
	W	1750	915	505	310	230	181.0	150.0	105.0	96.0	52.0
1.85V	A	795.0	420.0	250.0	155.0	115.0	91.7	76.0	53.3	48.8	27.0
	W	1650	840	490	305	230	177.5	149.0	100.5	95.0	51.3