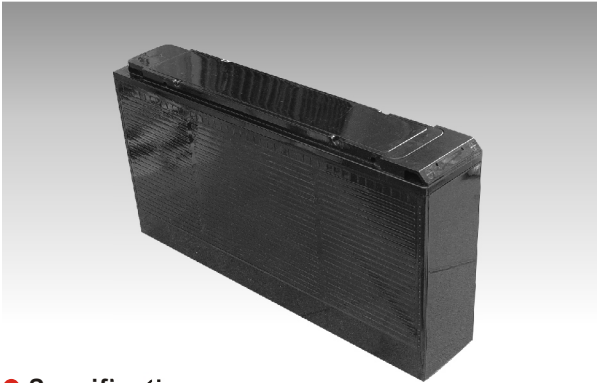
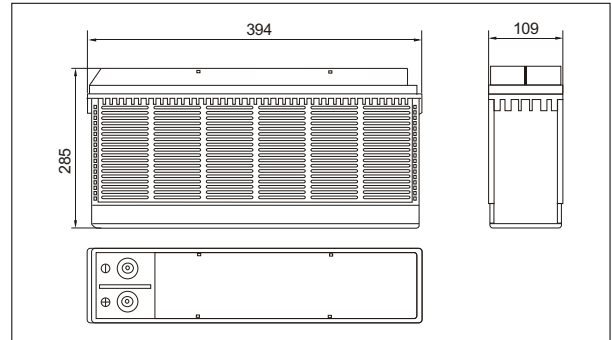




# SWF121100(12V110AH)



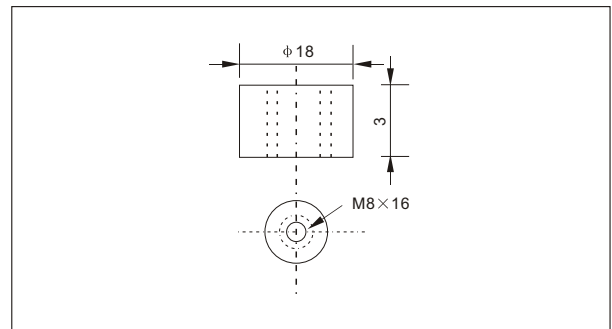
## Outer dimensions (mm)



## Specifications

Nominal Voltage		12V
Rated capacity (10 hour rate)		110Ah
Dimensions	Total Height	285 mm (11.22 inches)
	Height	285 mm (11.22 inches)
	Length	394 mm (15.51 inches)
	Width	109 mm (4.29 inches)
Weight Approx		33.5 Kg (7 3.8lbs)

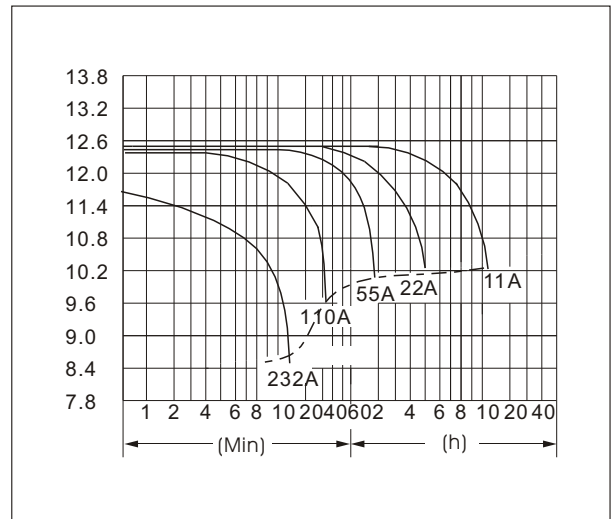
## Terminal Type (mm)



## Characteristics

Capacity 25°C(77°F)	10 hour rate(11 A)	110 AH
	5 hour rate(17.6 A)	88AH
	1 hour rate(66 A)	66 AH
	1.5 hour discharge to 10.5V	44 A
Internal Resistance	Full charged Battery at 25°C(77°F)	6 mΩ
Capacity affected by Temperature (10hour rate)	40°C(104°F)	102%
	25°C(77°F)	100%
	0°C(32°F)	85%
	-15°C(5°F)	65%
Self-Discharge at 25°C(77°F)	Capacity after 3 month storage	91%
	Capacity after 6 month storage	82%
	Capacity after 12 month storage	64%
Terminal		T46
Charge (constant Voltage)	Cycle	Initial Charging Current less than 44 A Voltage 14.10-14.40V
	Float	Voltage 13.50-13.80V

## Discharge Curves 25°C(77°F)



Constant Current(Amp) and Constant Power(Watt) Discharge Table at 25°C(77°F)

Time		5min	10min	15min	30min	1h	2h	3h	4h	5h	8h	10h	20h
9.60V	A	352	232	187	125.4	66.0	38.5	28.3	22.0	18.2	12.87	11.55	6.24
	W	3636	2479	2006	1348	713	423	315	248	206	147	133	72.5
10.20V	A	341	209	176	119.9	62.0	36.7	27.5	21.5	17.8	12.54	11.33	6.05
	W	3644	2339	1972	1346	702	423	318	249	208	147	133	71.0
10.50V	A	330	187	154	112.2	60.1	35.9	26.8	21.1	17.6	12.43	11.11	6.05
	W	3605	2131	1759	1291	695	416	313	247	206	146	131	71.5
10.80V	A	318	177	143	103.4	58.1	35.0	26.2	20.8	17.2	12.10	11.00	5.94
	W	3569	2036	1650	1198	676	410	309	245	203	143	131	70.7
11.10V	A	307	165	132	92.4	56.1	34.1	25.3	20.2	16.7	11.77	10.45	5.61
	W	3486	1916	1539	1081	660	403	301	241	200	141	126.2	68.0