



SW12145W(12V145W)



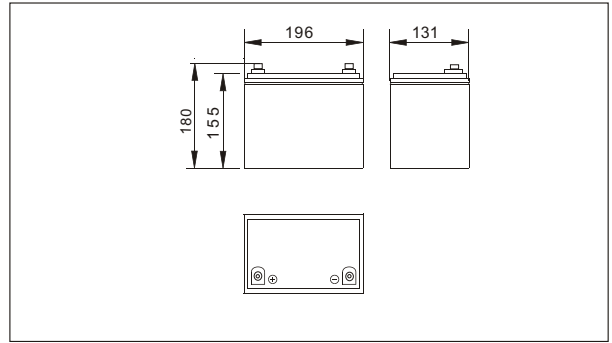
Specifications

Nominal Voltage		12V
CAPACITY(15 minutes rate to 1.67V/cell)		145W
Dimensions	Total Height	180 mm (7.09 inches)
	Height	155 mm (6.10 inches)
	Length	196 mm (7.70 inches)
	Width	131mm (5.16 inches)
Weight Approx		11.20Kg (24.6lbs)

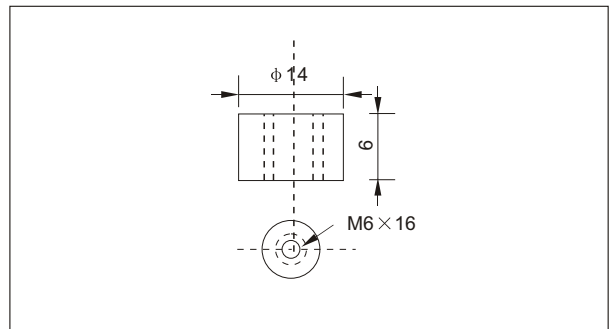
Characteristics

Capacity 25°C(77°F)	60min rate	261W
	30min rate	457W
	15min rate	870W
	5min rate	1676W
Internal Resistance	Full charged Battery at 25°C(77°F)	7 mΩ
Capacity affected by Temperature (20hour rate)	40°C(104°F)	102%
	25°C(77°F)	100%
	0°C(32°F)	85%
	-15°C(5°F)	65%
Self-Discharge at 25°C(77°F)	Capacity after 3 month storage	91%
	Capacity after 6 month storage	82%
	Capacity after 12 month storage	64%
Terminal		T9、T16
Charge (constant Voltage)	Cycle	Initial Charging Current less than 14A Voltage 14.10-14.40V
	Float	Voltage 13.50-13.80V

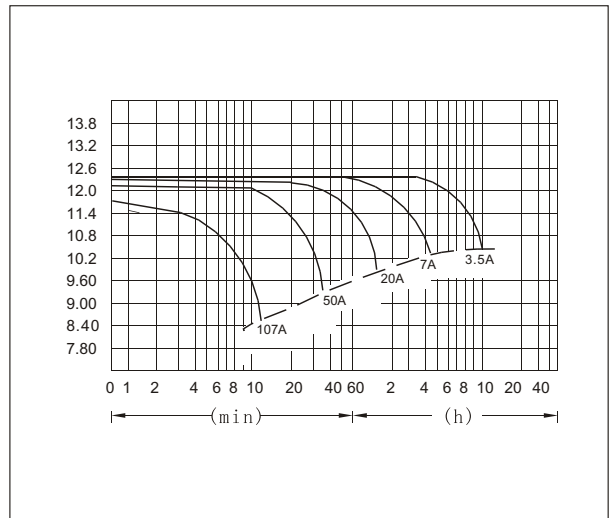
Outer dimensions (mm)



Terminal Type (mm)



Discharge Curves 25 °C(77°F)



Constant power discharge :watts(25°C, 77 °F)

	5min	10min	15min	20min	30min	40min	45min	50min	60min	90min
9.60V	1676	1149	890	734	547	440	403	368	316	235
10.02V	1592	1112	871	721	535	428	388	358	308	227
10.2V	1567	1070	851	704	525	418	383	353	301	219
10.5V	1472	1045	828	691	515	408	371	338	289	209
10.8V	1226	935	734	642	458	381	331	316	261	200
11.1V	1027	836	667	592	425	358	311	298	245	191

Constant current discharge unit:A(25°C, 77 °F)

	5min	10min	15min	20min	30min	40min	45min	50min	60min	90min
9.60V	158.8	107.8	83.3	68.4	51.0	40.8	37.3	34.0	29.1	21.6
10.02V	148.0	102.4	80.0	65.9	48.9	39.1	35.4	32.4	27.8	20.5
10.2V	144.3	97.8	77.1	63.8	47.3	37.8	34.6	31.7	26.9	19.6
10.5V	132.7	94.1	72.1	61.8	43.9	36.3	31.8	30.1	24.5	18.4
10.8V	108.6	82.1	63.8	56.0	39.7	33.0	28.7	27.3	22.6	17.2
11.1V	90.8	73.4	58.5	51.4	37.1	31.0	26.9	25.7	21.2	16.4