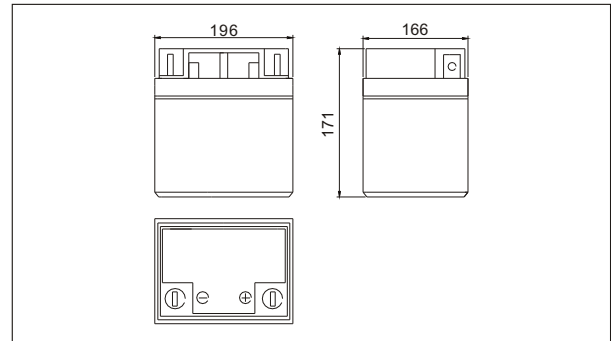




SW12150W(12V150W)



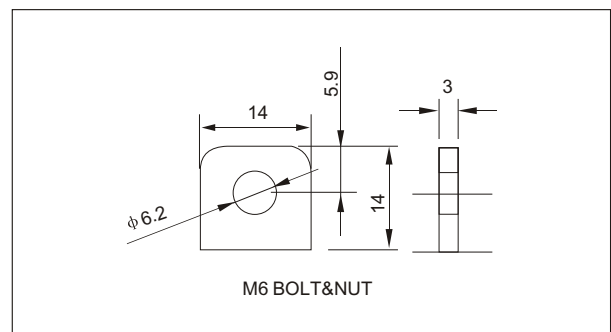
Outer dimensions (mm)



Specifications

Nominal Voltage		12V
CAPACITY(15 minutes rate to 1.67V/cell)		150W
Dimensions	Total Height	171 mm (6.73 inches)
	Height	171 mm (6.73 inches)
	Length	196 mm (7.70 inches)
	Width	166mm (6.54 inches)
Weight Approx		13.8 Kg (30.36 lbs)

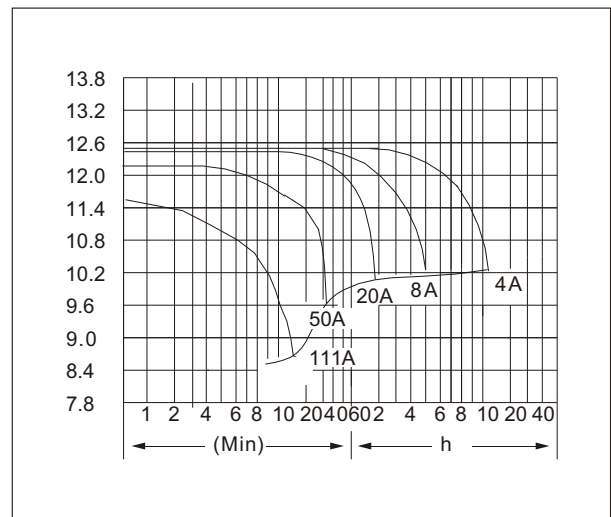
Terminal Type (mm)



Characteristics

Capacity 25°C(77°F)	60min rate	271W
	30min rate	475W
	15min rate	900W
	5min rate	1740W
Internal Resistance	Full charged Battery at 25°C(77°F)	6 mΩ
Capacity affected by Temperature (20hour rate)	40°C(104°F)	102%
	25°C(77°F)	100%
	0°C(32°F)	85%
	-15°C(5°F)	65%
Self-Discharge at 25°C(77°F)	Capacity after 3 month storage	91%
	Capacity after 6 month storage	82%
	Capacity after 12 month storage	64%
Terminal		T9, T16
Charge (constant Voltage)	Cycle	Initial Charging Current less than 16A Voltage 14.10-14.40V
	Float	Voltage 13.50-13.80V

Discharge Curves 25 °C(77°F)



Constant power discharge :watts(25°C , 77 °F)

Constant current discharge unit:A(25°C , 77 °F)

	5min	10min	15min	20min	30min	40min	45min	50min	60min	90min
9.60V	1740	1193	924	762	568	457	418	382	328	244
10.02V	1652	1154	904	749	555	444	403	372	320	235
10.2V	1627	1110	883	731	545	434	398	367	312	227
10.5V	1528	1084	860	718	534	423	385	351	299	217
10.8V	1273	971	762	666	475	395	343	328	271	208
11.1V	1066	867	692	614	441	372	323	310	255	198

	5min	10min	15min	20min	30min	40min	45min	50min	60min	90min
9.60V	164.8	111.9	86.5	71.0	52.9	42.3	38.7	35.3	30.2	22.4
10.02V	153.6	106.3	83.0	68.4	50.8	40.5	36.7	33.6	28.9	21.3
10.2V	149.7	101.6	80.0	66.3	49.1	39.2	35.9	32.9	27.9	20.4
10.5V	137.7	97.7	74.9	64.1	45.6	37.7	33.0	31.2	25.5	19.1
10.8V	112.7	85.2	66.3	58.1	41.2	34.3	29.8	28.3	23.5	17.9
11.1V	94.2	76.2	60.7	53.4	38.5	32.2	27.9	26.7	22.0	17.0