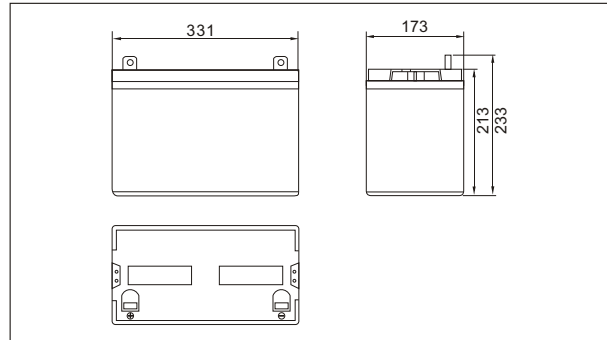




# SW12380W(12V380W)



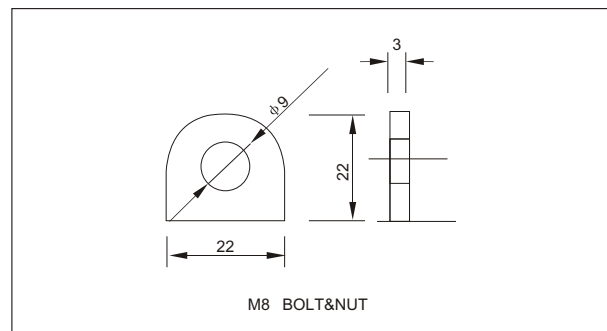
## Outer dimensions (mm)



## Specifications

Nominal Voltage	12 V	
CAPACITY(15 minutes rate to 1.67V/cell)	380W	
Dimensions	Total Height	233 mm (9.17 inches)
	Height	213 mm (8.39 inches)
	Length	331 mm (13.0 inches)
	Width	173 mm (6.81 inches)
Weight Approx	31.5 Kg (69.3 lbs)	

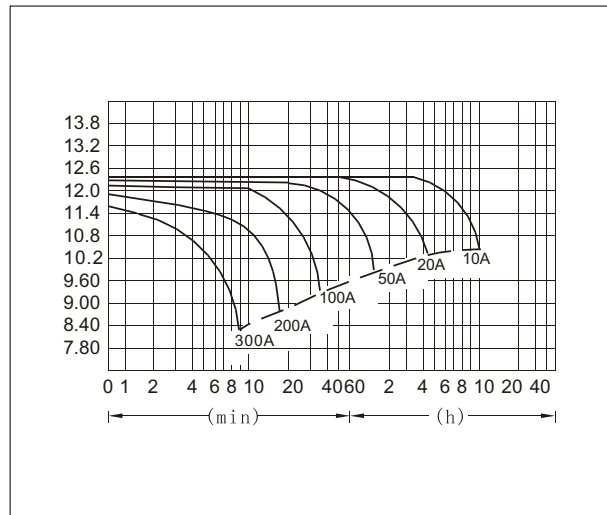
## Terminal Type (mm)



## Characteristics

Capacity 25°C(77°F)	60min rate	684W
	30min rate	1199W
	15min rate	2280W
	5min rate	4392W
Internal Resistance	Full charged Battery at 25°C(77°F)	3 mΩ
Capacity affected by Temperature (20hour rate)	40°C(104°F)	102%
	25°C(77°F)	100%
	0°C(32°F)	85%
	-15°C(5°F)	65%
Self-Discharge at 25°C(77°F)	Capacity after 3 month storage	91%
	Capacity after 6 month storage	82%
	Capacity after 12 month storage	64%
Terminal	T10、T16	
Charge (constant Voltage)	Cycle	Initial Charging Current less than 40A Voltage 14.10-14.40V
	Float	Voltage 13.50-13.80V

## Discharge Curves 25 °C(77°F)



## Constant power discharge :watts(25°C, 77°F)

	5min	10min	15min	20min	30min	40min	45min	50min	60min	90min
9.60V	4392	3011	2333	1922	1434	1153	1056	964	828	615
10.02V	4170	2913	2281	1890	1401	1121	1017	938	808	594
10.2V	4105	2802	2229	1844	1375	1095	1004	925	788	574
10.5V	3858	2737	2170	1812	1349	1069	971	886	756	547
10.8V	3213	2450	1922	1681	1199	997	867	828	684	525
11.1V	2691	2189	1746	1551	1114	938	815	782	643	499

## Constant current discharge unit:A(25°C, 77°F)

	5min	10min	15min	20min	30min	40min	45min	50min	60min	90min
9.60V	416.0	282.4	218.3	179.2	133.6	106.9	97.6	89.1	76.2	56.6
10.02V	387.7	268.3	209.6	172.7	128.2	102.3	92.6	84.8	72.9	53.7
10.2V	377.9	256.3	202.0	167.3	123.8	98.9	90.6	83.0	70.5	51.4
10.5V	347.5	246.5	189.0	161.8	115.1	95.1	83.2	78.7	64.3	48.2
10.8V	284.5	215.0	167.3	146.6	104.0	86.5	75.2	71.5	59.2	45.2
11.1V	237.8	192.2	153.1	134.7	97.1	81.3	70.5	67.3	55.5	42.9