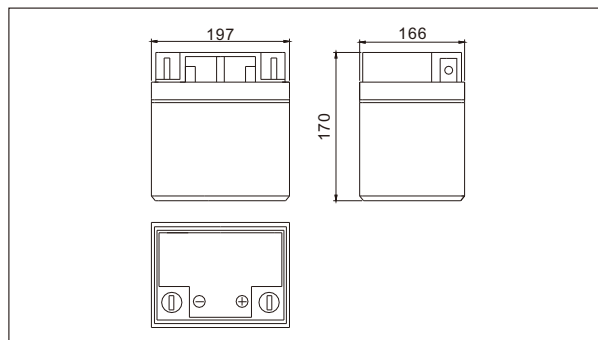




SW12380(12V38AH)



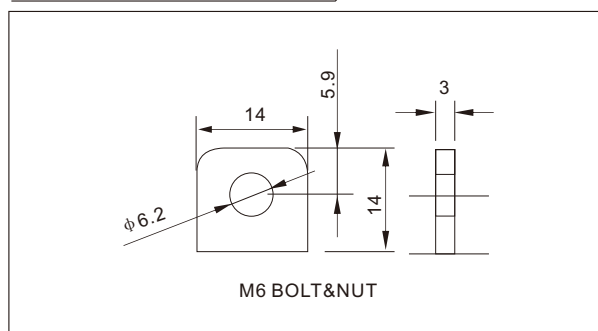
Outer dimensions (mm)



Specifications

Nominal Voltage	12V	
Rated capacity (10 hour rate)	38 Ah	
Dimensions	Total Height	170 mm (6.69 inches)
	Height	170 mm (6.69 inches)
	Length	197 mm (7.76 inches)
	Width	166mm (6.54 inches)
Weight Approx	12.0 Kg (26.46lbs)	

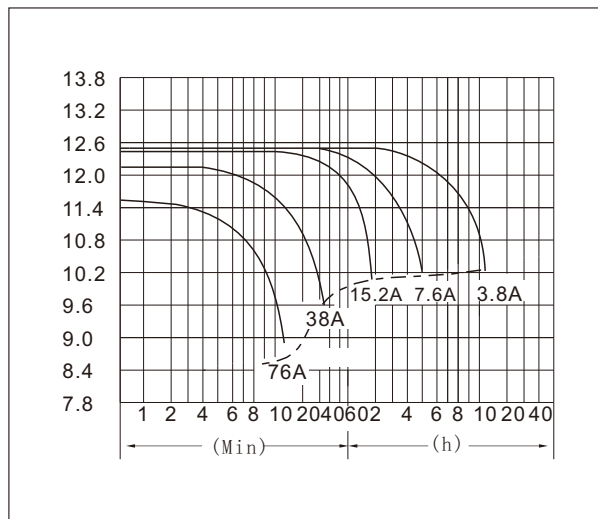
Terminal Type (mm)



Characteristics

Capacity 25°C(77°F)	10 hour rate(3.8 A)	38.0 AH
	5 hour rate(6.1 A)	30.5 AH
	1 hour rate(22.8 A)	22.8 AH
	1.5 hour discharge to 10.5V	15.2 A
Internal Resistance	Full charged Battery at 25°C(77°F)	9 mΩ
Capacity affected by Temperature (10hour rate)	40°C(104°F)	102%
	25°C(77°F)	100%
	0°C(32°F)	85%
	-15°C(5°F)	65%
Self-Discharge at 25°C(77°F)	Capacity after 3 month storage	91%
	Capacity after 6 month storage	82%
	Capacity after 12 month storage	64%
Terminal	T7, T16 T9	
Charge (constant Voltage)	Cycle	Initial Charging Current less than 11.4 A Voltage 14.10-14.40V
	Float	Voltage 13.50-13.80V

Discharge Curves 25°C(77°F)



Time		10min	30min	1h	2h	3h	4h	5h	8h	10h	20h
9.60V	A	76.0	41.8	22.8	13.3	9.9	8.0	6.8	4.4	4.2	2.2
	W	806	445	244	144	108	88	74.4	48.9	46.4	24.3
10.20V	A	72.2	41.4	21.4	12.7	9.7	7.8	6.6	4.3	3.9	2.1
	W	794	458	238	142	109	88	75	49	45	24
10.50V	A	64.6	38.8	20.9	12.4	9.5	7.6	6.5	4.3	3.9	2.1
	W	724	436	236	141	109	87	74	49	45	24
10.80V	A	60.8	35.7	20.1	12.1	9.3	7.4	5.8	4.2	3.8	2.1
	W	690	407	231	140	108	86	67	49	44	24
11.10V	A	57.0	31.9	19.0	11.8	8.9	7.2	5.5	4.1	3.7	2.1
	W	656	369	220	138	105	85	65	48	44	24