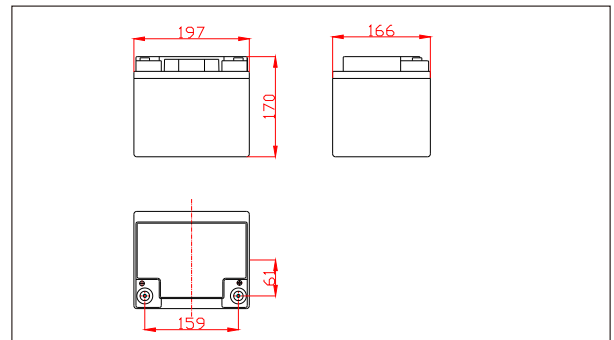




SW12400(12V40AH)



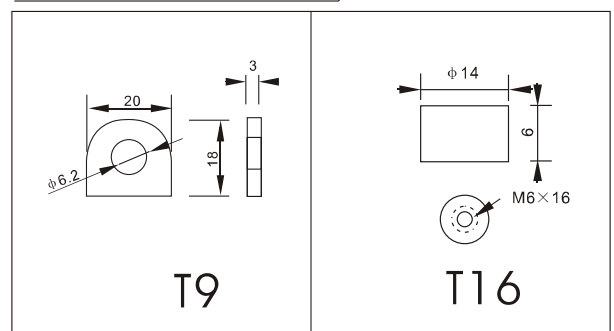
Outer dimensions (mm)



Specifications

Nominal Voltage	12V	
Rated capacity (10 hour rate)	40 Ah	
Dimensions	Total Height	170 mm (6.69 inches)
	Height	170 mm (6.69 inches)
	Length	197 mm (7.76 inches)
	Width	166mm (6.54 inches)
Weight Approx	12.4 Kg (27.3 lbs)	

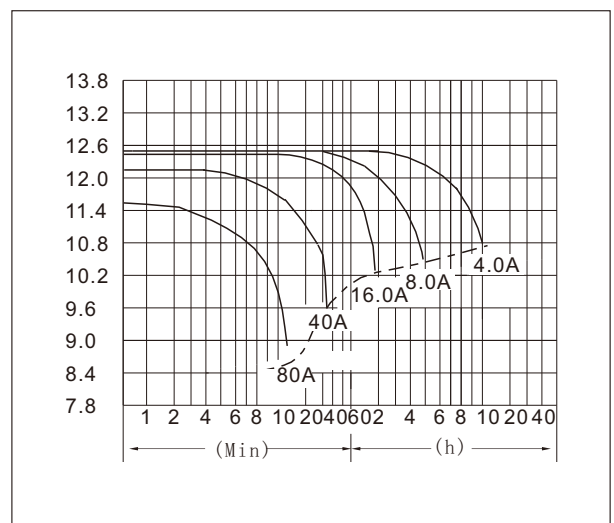
Terminal Type (mm)



Characteristics

Capacity 25°C(77°F)	10 hour rate(4.2 A)	40.0 AH
	5 hour rate(6.4A)	32.0 AH
	1 hour rate(24.2 A)	24.0 AH
	1.5 hour discharge to 10.5V	16.0 A
Internal Resistance	Full charged Battery at 25°C(77°F)	10 m Ω
Capacity affected by Temperature (10hour rate)	40°C(104°F)	102%
	25°C(77°F)	100%
	0°C(32°F)	85%
	-15°C(5°F)	65%
Self-Discharge at 25°C(77°F)	Capacity after 3 month storage	91%
	Capacity after 6 month storage	82%
	Capacity after 12 month storage	64%
Terminal	T7、T16 T9	
Charge (constant Voltage)	Cycle	Initial Charging Current less than 10 A Voltage 14.10-14.40V
	Float	Voltage 13.50-13.80V

Discharge Curves 25°C(77°F)



Constant Current(Amp) and Constant Power(Watt) Discharge Table at 25°C (72°F)

Time		10min	30min	1h	2h	3h	4h	5h	8h	10h	20h
9.60V	A	80.0	44.0	24.0	14.0	10.4	8.4	7.1	4.6	4.4	2.3
	W	848	469	257	151	118	94	81.2	52.1	48.8	25.8
10.20V	A	76.0	43.6	22.6	13.4	10.2	8.2	7.0	4.6	4.1	2.2
	W	836	482	250	150	115	93	79	52	47	25
10.50V	A	68.0	40.8	22.0	13.0	10.0	8.0	6.4	4.5	4.1	2.2
	W	762	459	249	149	115	92	74	51	47	25
10.80V	A	64.0	37.6	21.2	12.7	9.8	7.8	6.1	4.4	4.0	2.2
	W	726	429	243	147	114	91	71	51	47	25
11.10V	A	60.0	33.6	20.0	12.4	9.4	7.6	5.8	4.3	3.9	2.2
	W	690	388	232	145	110	90	68	50	46	25